



TOY TRAIN

"Toy Train" is the nickname for the locomotives that travel the Darjeeling Himalayan Railway in India. The locomotives are loved for their cute, toy-like appearance, and the oldest one of them has been running for as many as 110 years. Due to deterioration, most of the locomotives now run on diesel, but some are still powered by steam engines. The Darjeeling Himalayan Railway, as its name suggests, runs through the mountains in the Darjeeling area, shipping tea or transporting passengers to cooler climates. The train is currently registered as a World Heritage Site.

*This model was designed for Papercraft and may differ from the original in some respects.

■ Parts list (Assembly Instructions) : Twenty two A4 sheets

*Build the model by carefully reading the Assembly Instructions, in the parts sheet page order.

Assembly Instructions



Mountain fold
(Dotted line)



Scissors line
(Solid line)



Valley fold
(Dashed and dotted line)



Cut in line
(Red solid line)



Completed parts become a cylinder
You may like to use a metal rod as a guide.



Layer wrapping (roll)
Wrap around and glue to the cylinder, to use as a glue tab.



Cut out
(Pink area)

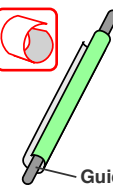


Wrap around and glue to the top of the cylinder.



How to make the cylinders

This craft involves making cylinders with diameters of 3 to 7mm, so it may be helpful to have some rods of sizes about 0.5mm thinner handy.



Guide rod

Glue tab notation key

Each glue tab has a symbol and number printed on it. Glue with in the same part.

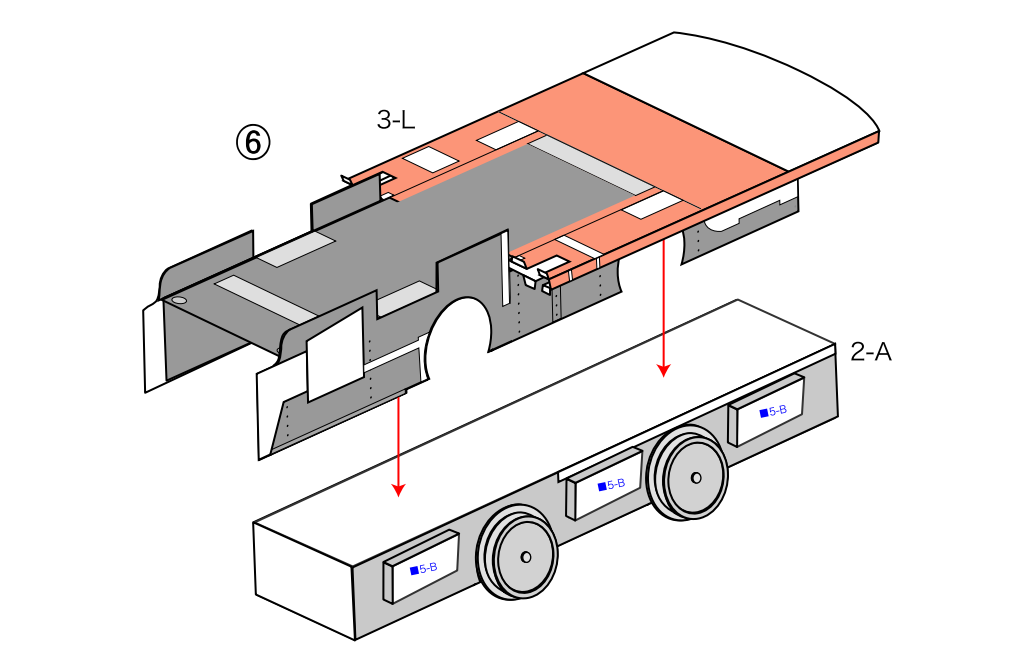
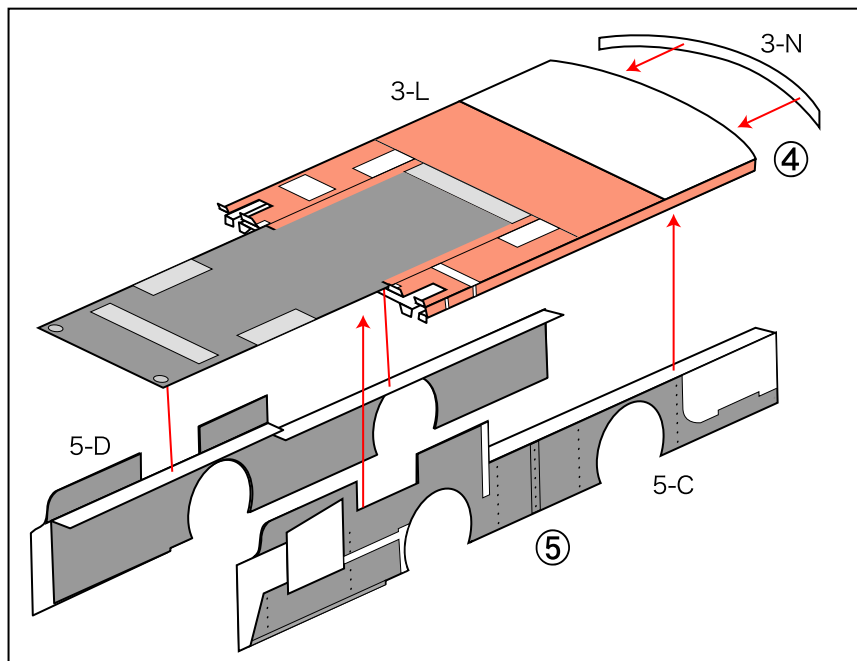
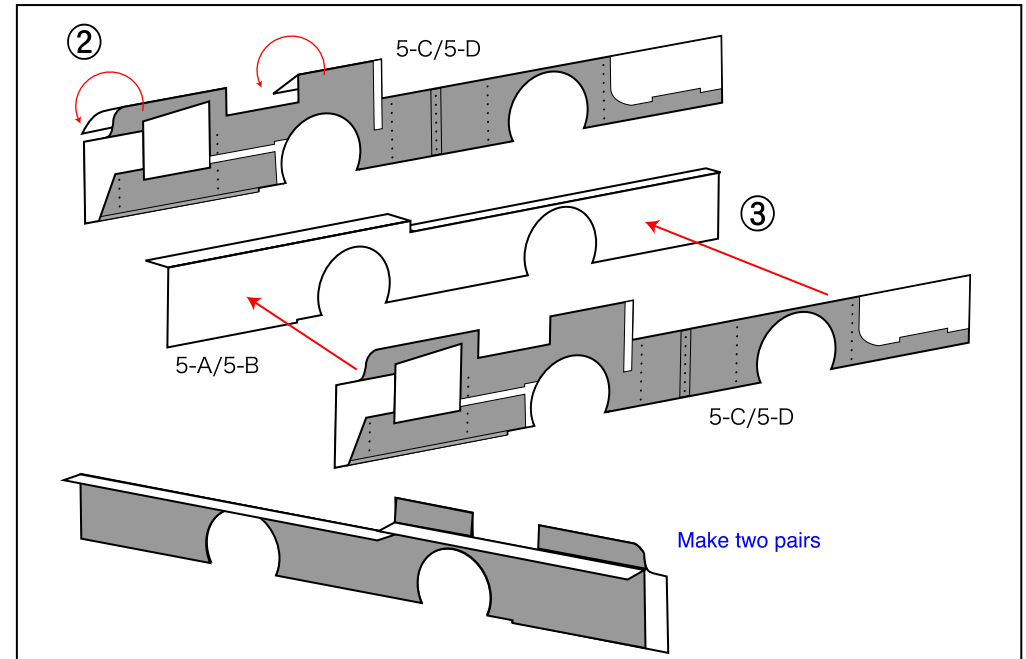
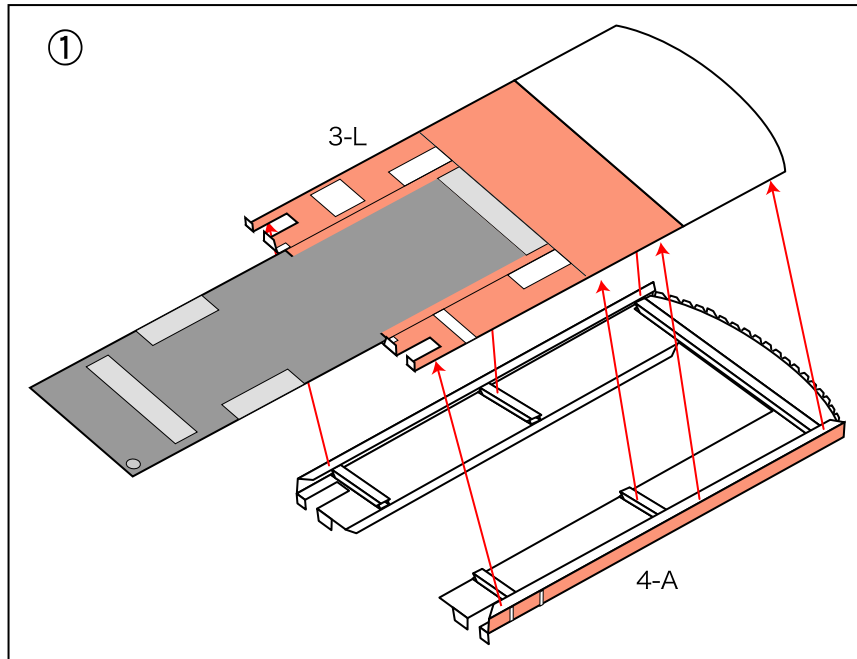


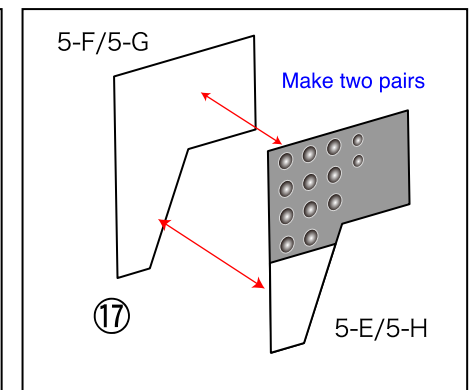
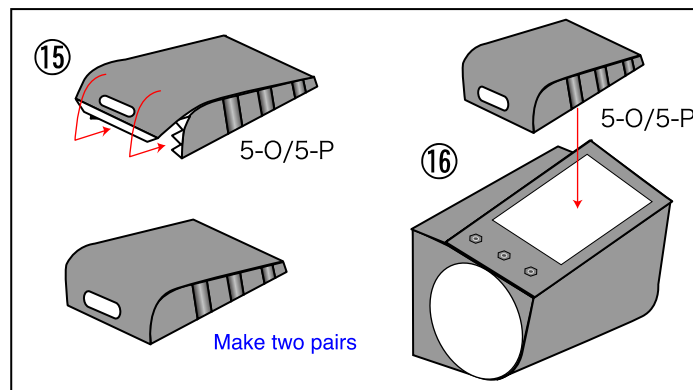
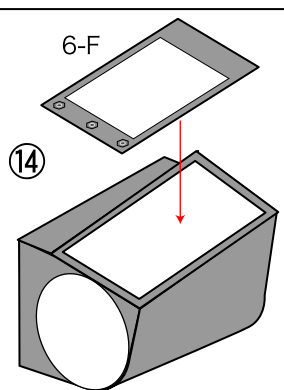
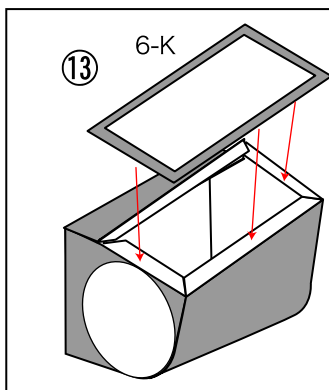
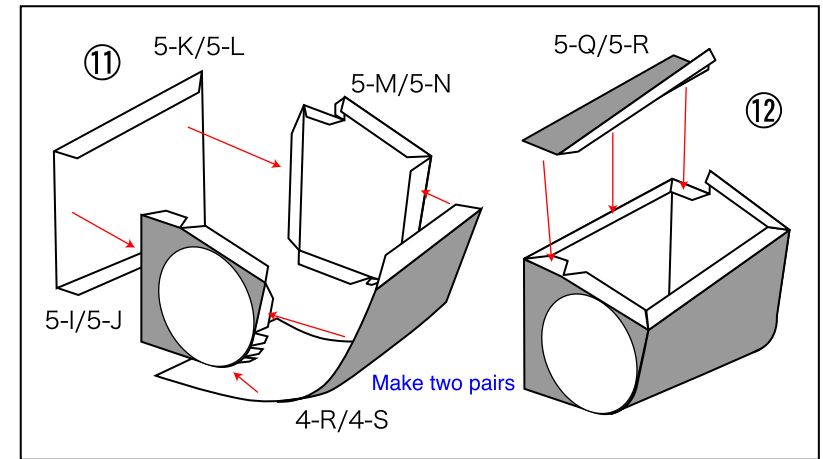
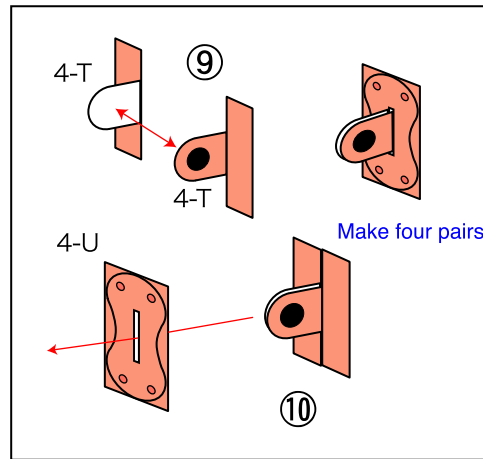
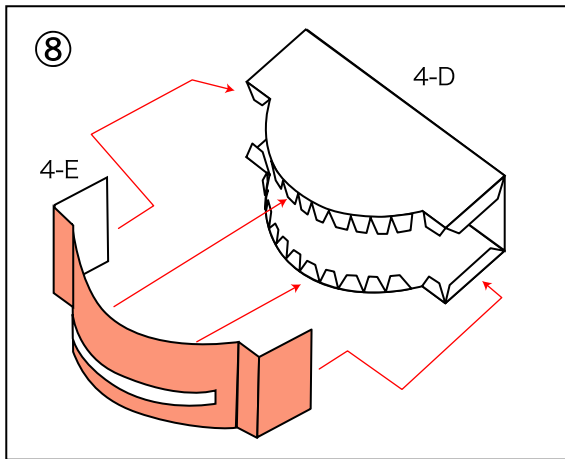
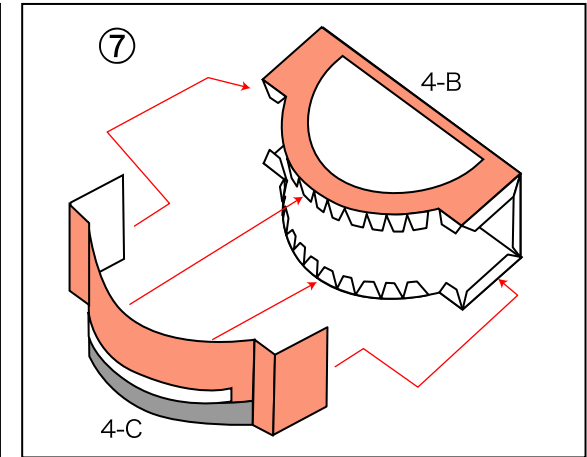
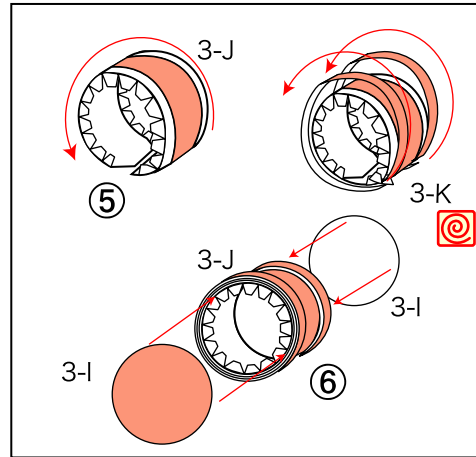
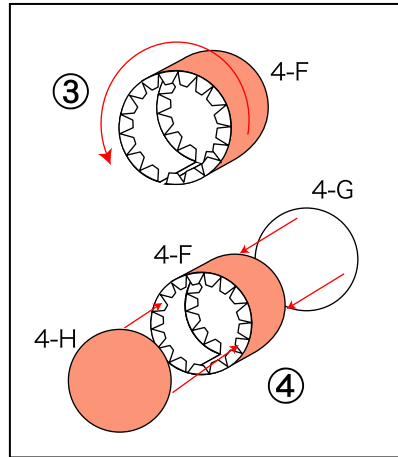
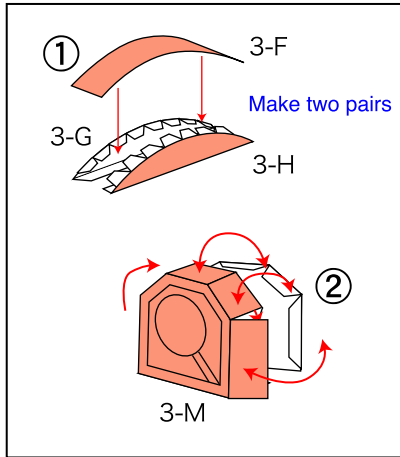
Glue

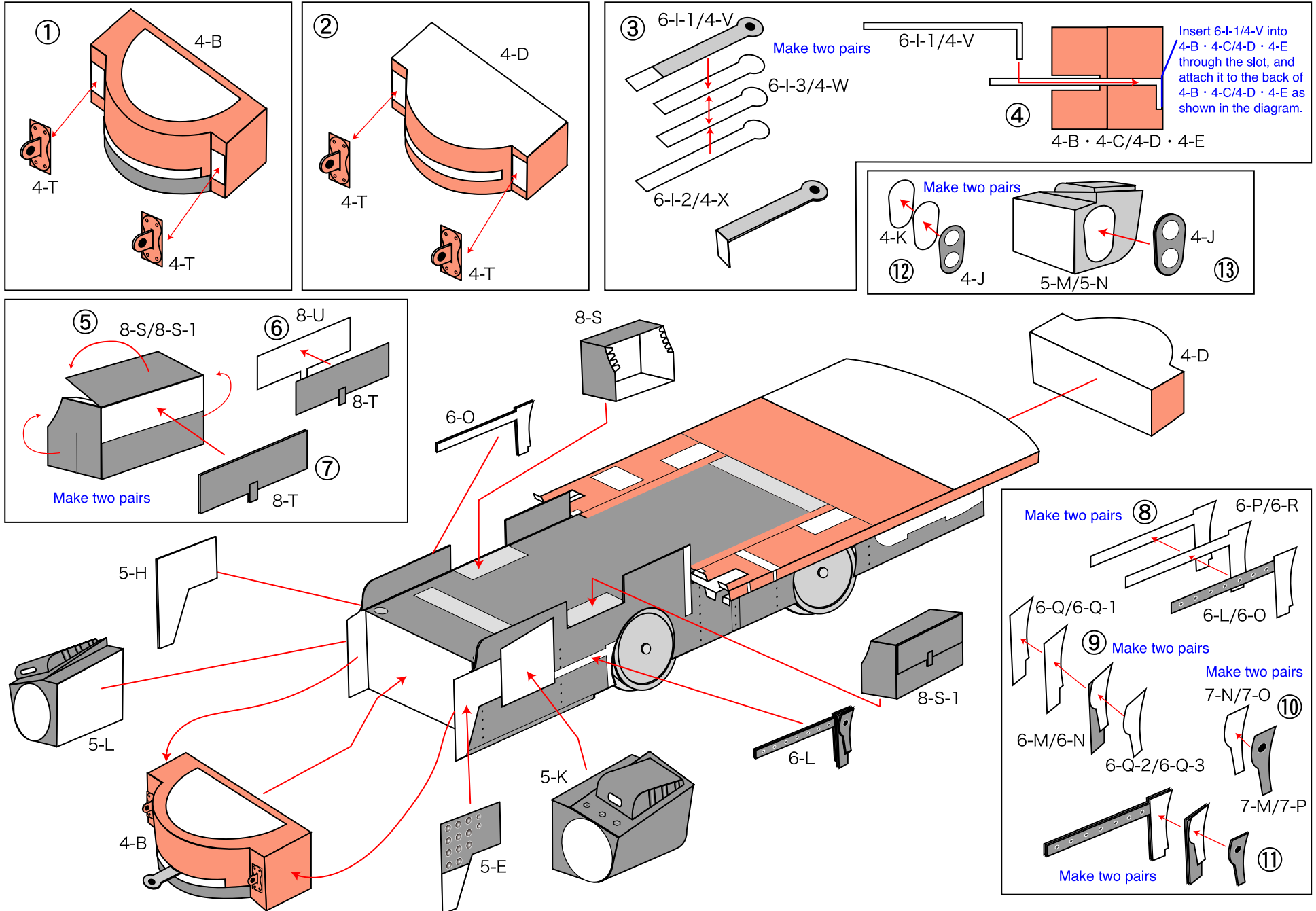


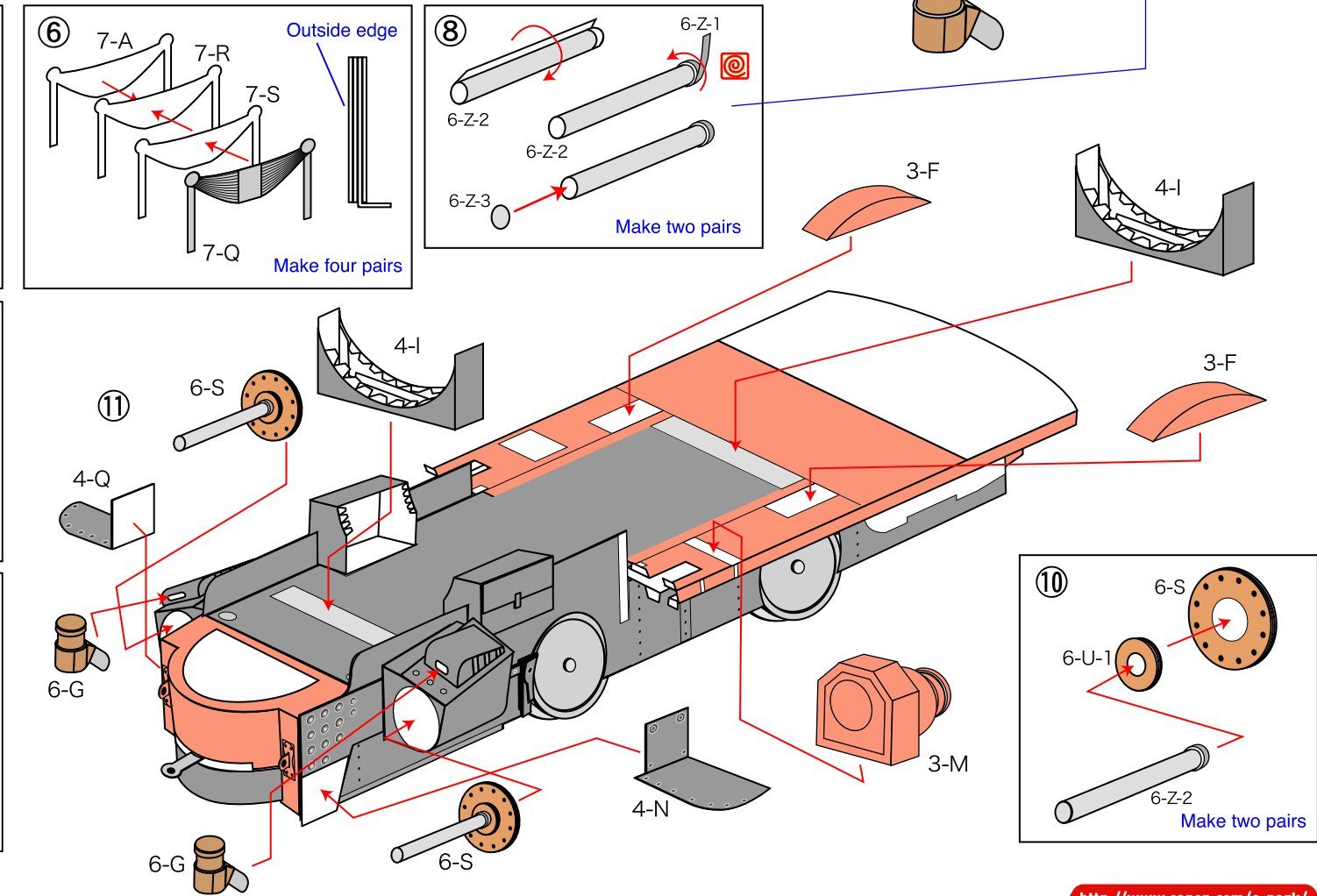
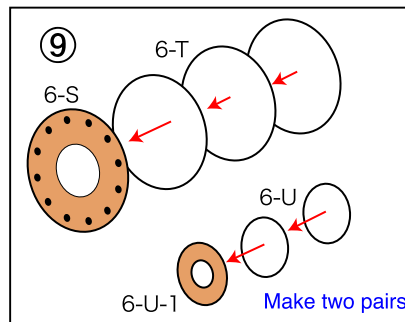
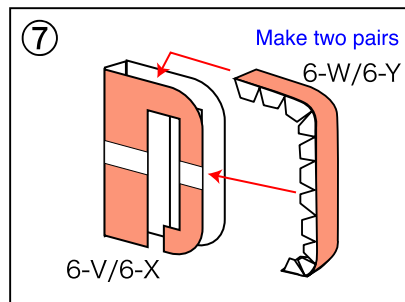
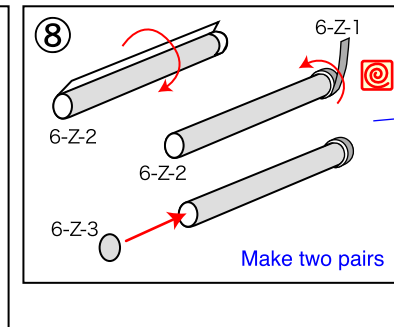
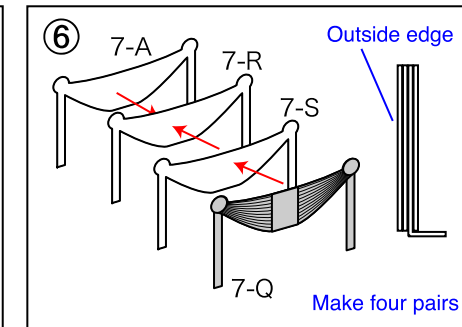
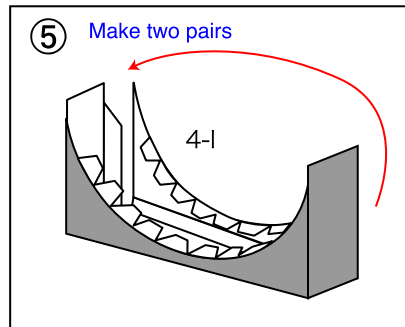
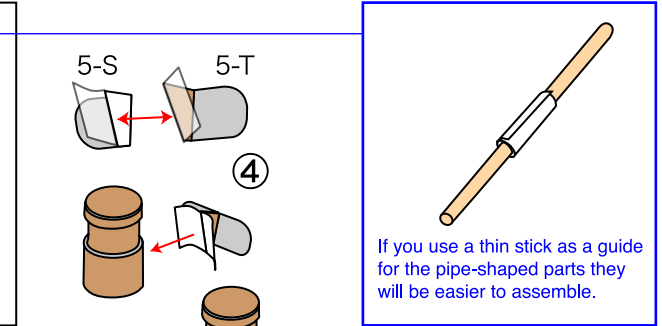
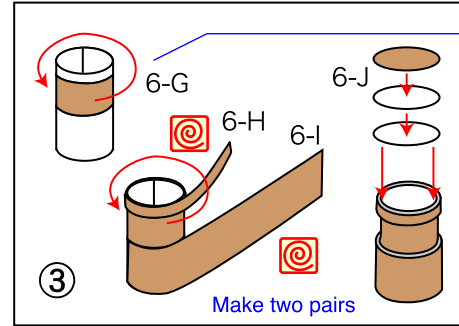
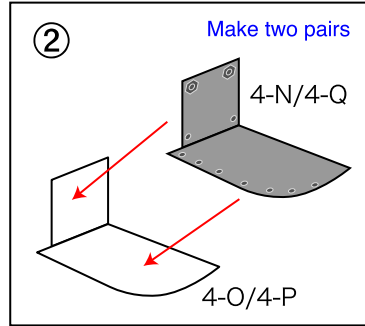
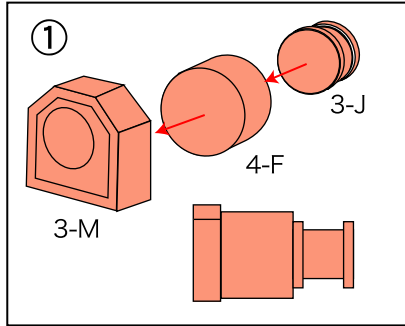
Trace along the folds with a ruler and a used pen (no ink) to get a sharper, easier fold.

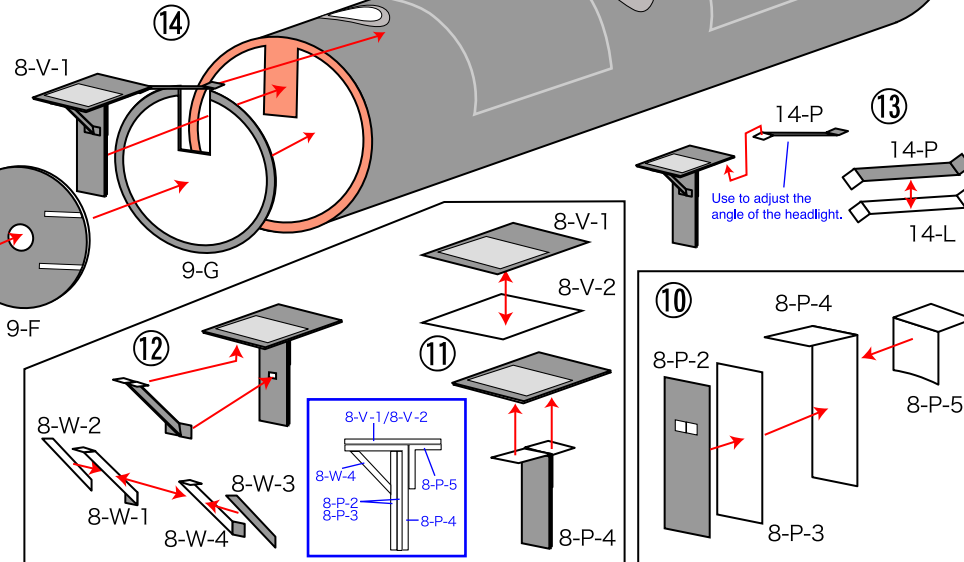
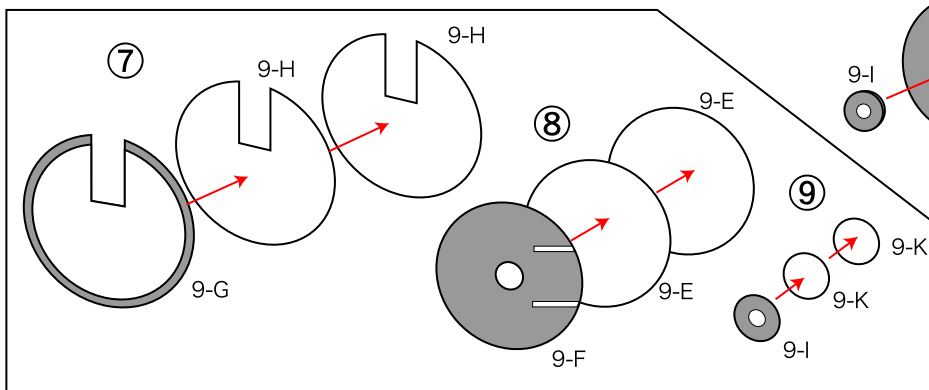
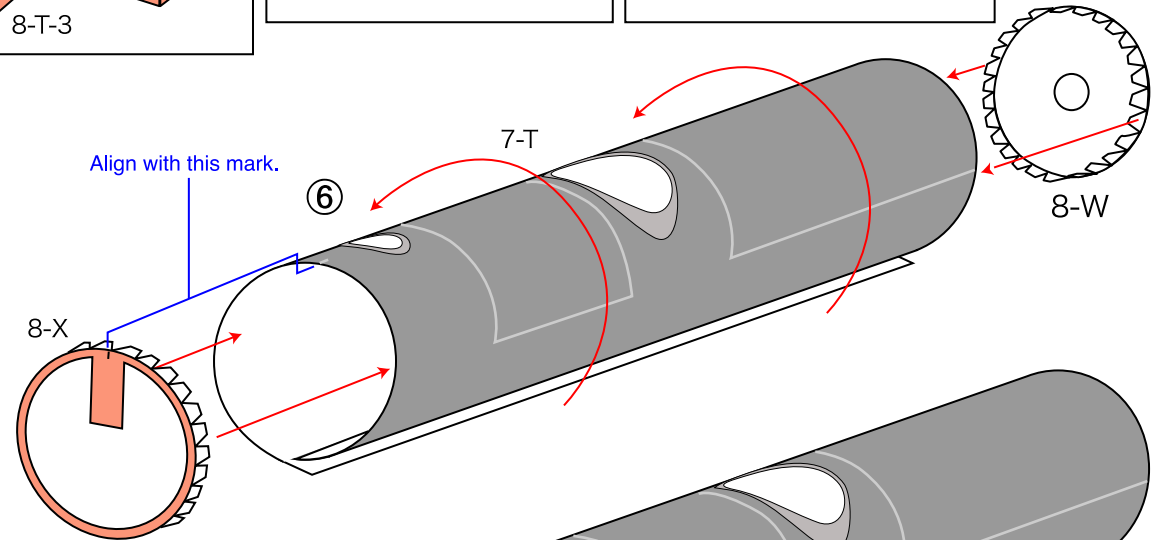
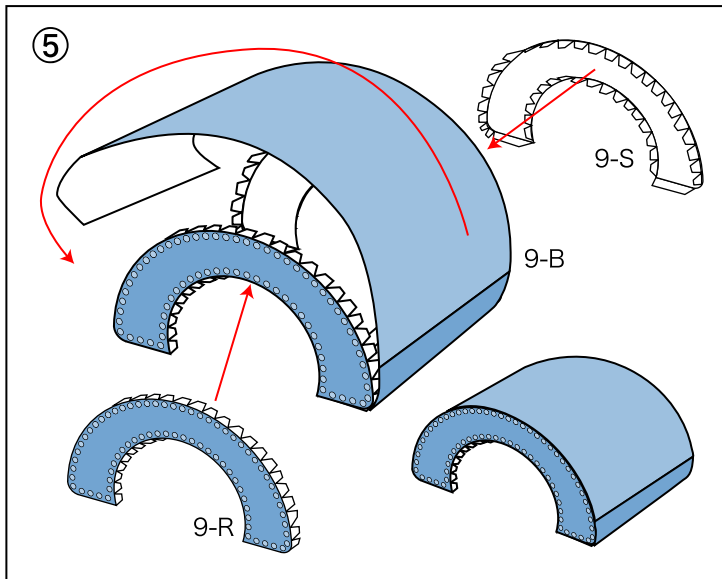
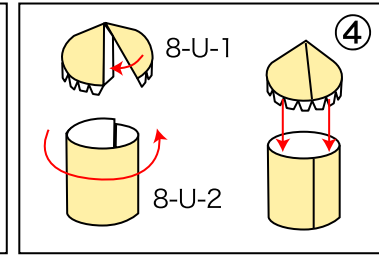
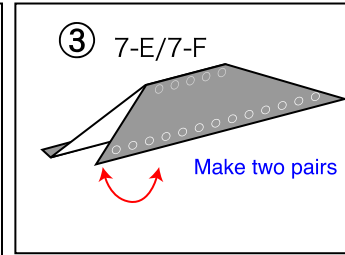
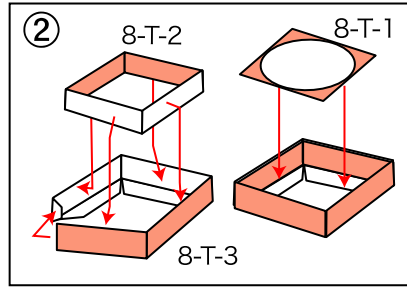
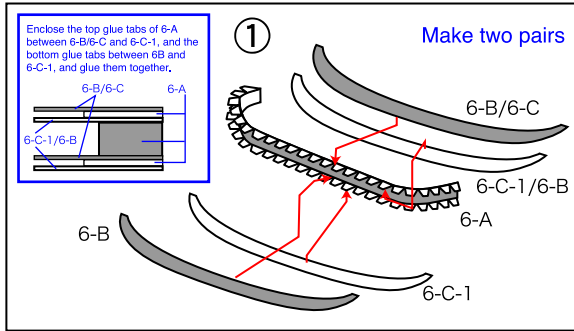
Glue, scissors and other tools may be dangerous to young children so be sure to keep them out of the reach of young children.

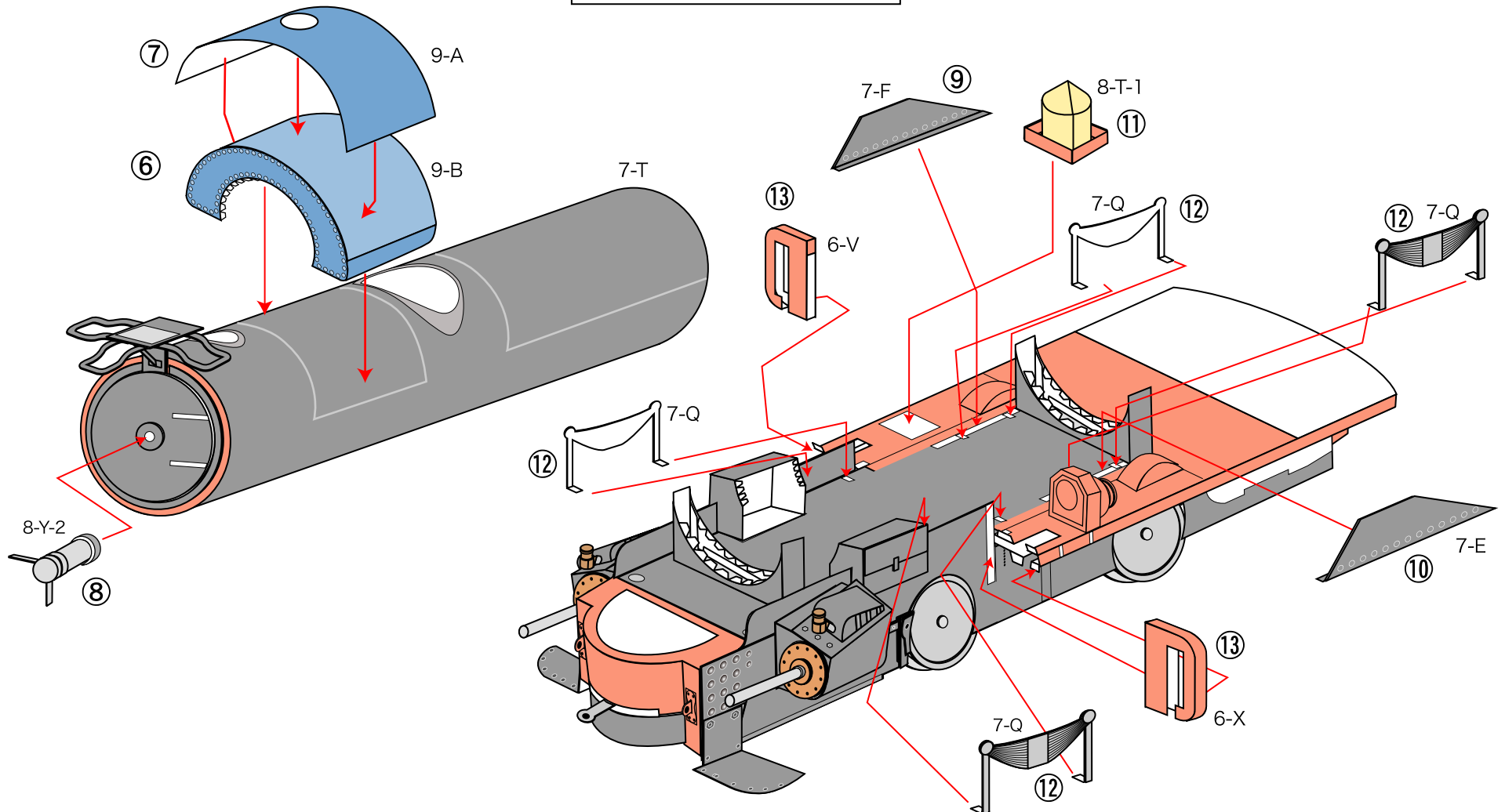
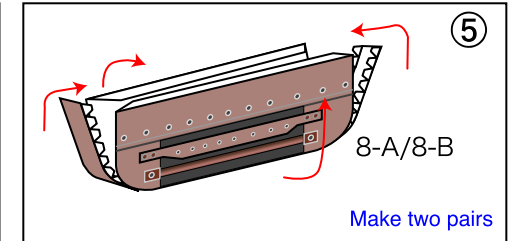
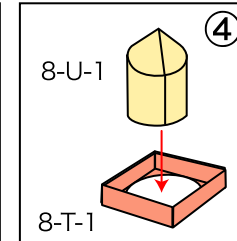
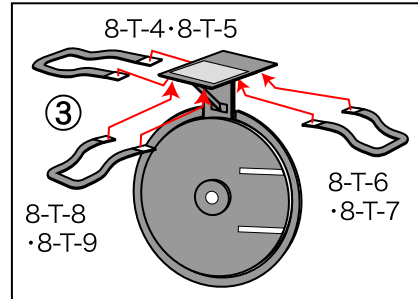
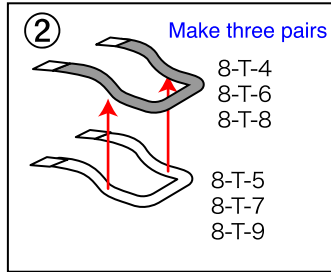
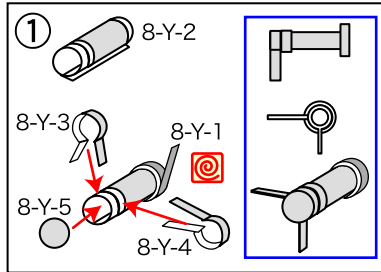


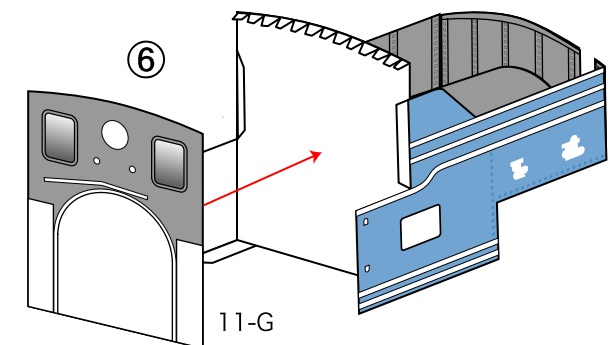
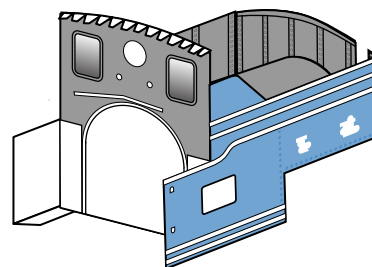
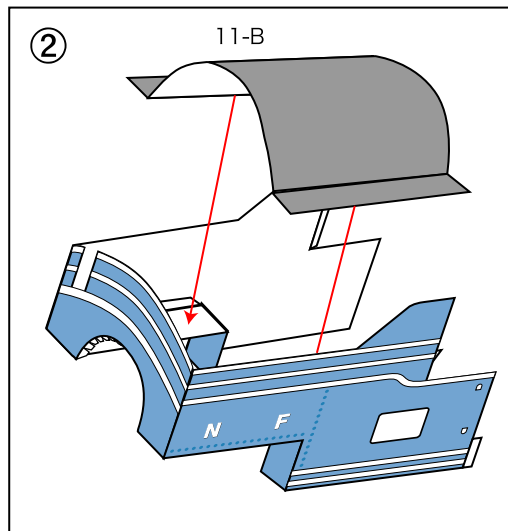
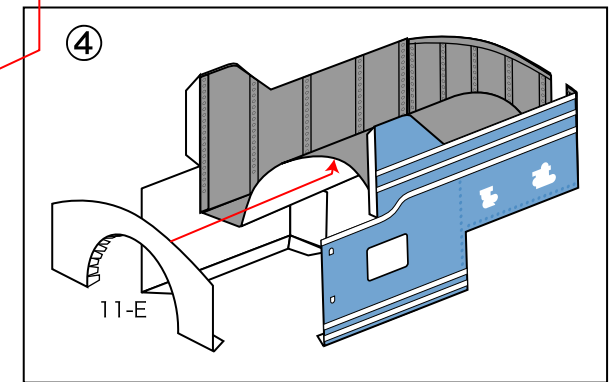
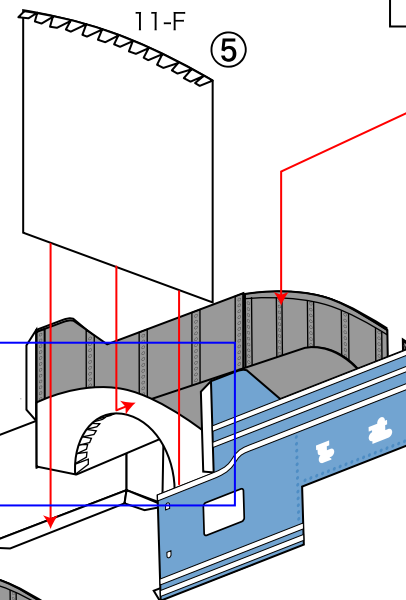
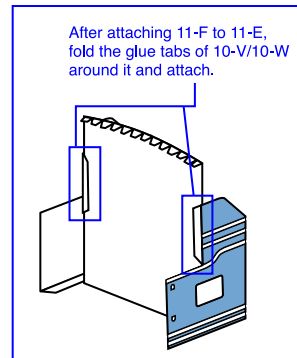
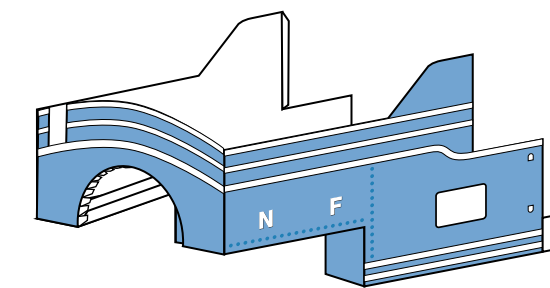
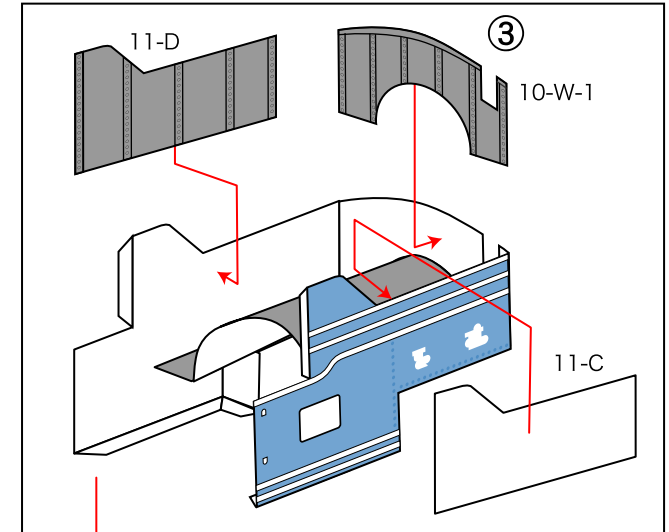
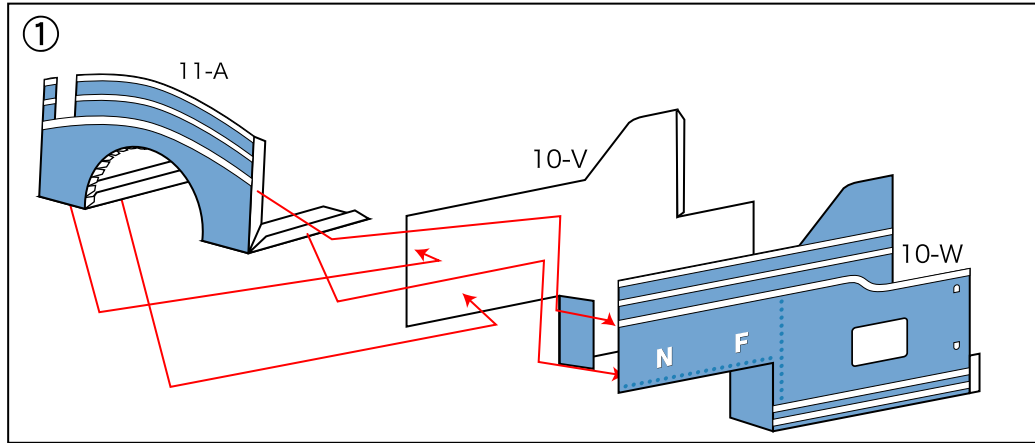












1 10-K, 10-J

2 10-M, 10-L

3 10-N

4 10-I

5 12-C, 12-A, 12-D, 12-B, 12-D

6 12-E-1/12-F-1, 12-E/12-F, 12-G, 12-G-1, 12-I, 12-I-1

7 12-H-1/12-J-1, 12-H/12-J

8 12-K, 12-K-1

9 10-R-3, 10-R-2, 10-R-1, 10-R, 10-X-1, 10-X, 10-Q, 10-P, 906 B

10 10-H-3, 10-H-5, 10-H-2, 10-H-5, 10-H-4, 10-H-3

11 10-R-3, 10-R-2, 10-R-1, 10-R

12 10-F, 10-G

13 11-K, 11-L

14 11-H, 11-J, 11-I

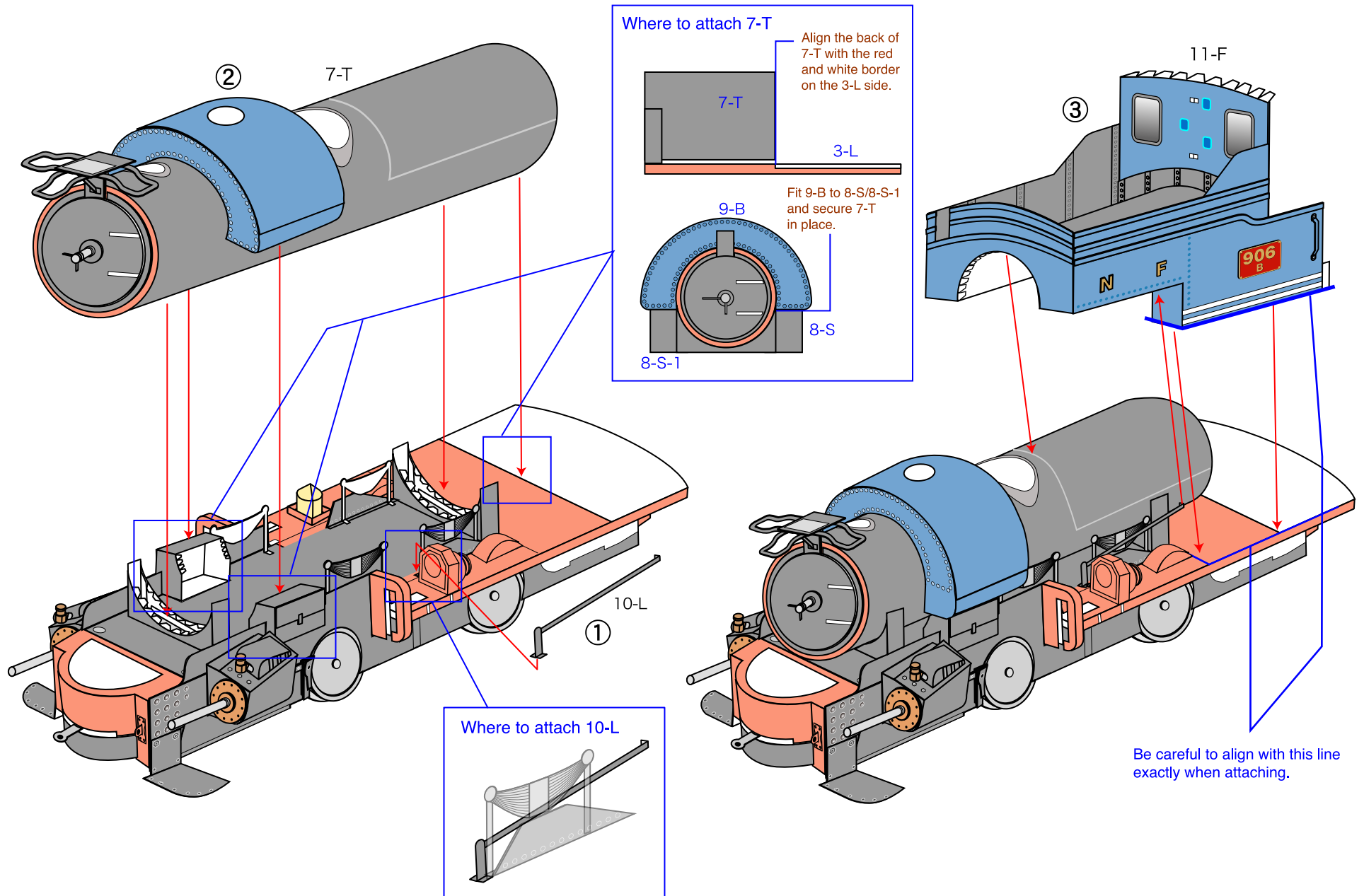
15 11-F, 12-B, 12-E-1, 12-G, 12-I, 12-K, 12-H, 12-J, 12-F-1, 12-A, 12-F, 10-F, 10-X, 906 B

16 11-G, 11-K, 10-R, 10-R-2, 10-P, 10-F

Make four pairs

Make two pairs

Bend it however you like.



1 Assemble parts 9-Y, 9-C, 9-W, 9-X, 9-Z, and 9-Z-1.

2 Assemble parts 9-V, 9-Z-3, 9-T, 9-U, 9-Z-2, and 9-J.

3 Assemble part 10-C.

4 Attach the glue tabs to the slots cut in 10-D, and then attach together, keeping the slots aligned.

5 Assemble parts 10-C and 10-E.

6 Make two pairs of parts 10-H and 10-H-1.

7 Attach 10-H to 10-E.

8 Assemble parts 10-A, 10-B, 10-B, and 10-B.

9 Make two pairs of parts 8-O/8-P.

10 Assemble parts 8-Y, 8-Z, 8-M-2, and 8-M-1.

11 Assemble parts 8-Y and 8-N.

12 Assemble parts 7-K and 7-G.

13 Assemble parts 7-C and 7-K.

14 Assemble parts 7-L and 7-K.

15 Assemble parts 7-H and 7-K.

16 Assemble parts 7-D and 7-K.

17 Assemble parts 7-I and 7-J.

18 Assemble parts 7-B and 7-I.

19 Assemble parts 7-B and 7-J.

20 Cross over.

21 Assemble parts 10-A, 9-Z, 9-W, 9-T, 9-V, 8-N, 10-C, 10-N, 10-J, and 7-B.

Attach to the 10-V side.

Attach to the 8-S side.

Only attach these parts, to allow it to move.

Make sure the lid opens.

Where to attach 10-E

Where to attach 10-H

1 12-L, 12-M

2 12-T, 12-V, 12-U, 12-S

3 13-B, 13-C

4 12-Z-1, 12-Z

5 13-T, 13-J-1, 13-J

6 13-T, 13-I, 13-H, 13-N

7 13-V

8 13-X, 13-W
Make two pairs

9 13-V-1, 13-Y-1, 13-Y
Make two pairs

10 13-K-1, 13-K, 13-O, 13-O-1

11 13-M-1, 13-M

12 13-K, 13-M, 13-V

13 13-P, 13-P-1

14 12-W, 12-W-1, 12-W-2, 12-W-3

15 12-R, 12-R-1

16 12-Z, 12-Y, 12-R-1

17 13-O, 13-V-1, 13-P

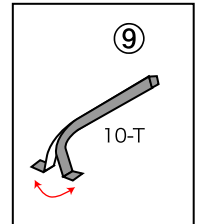
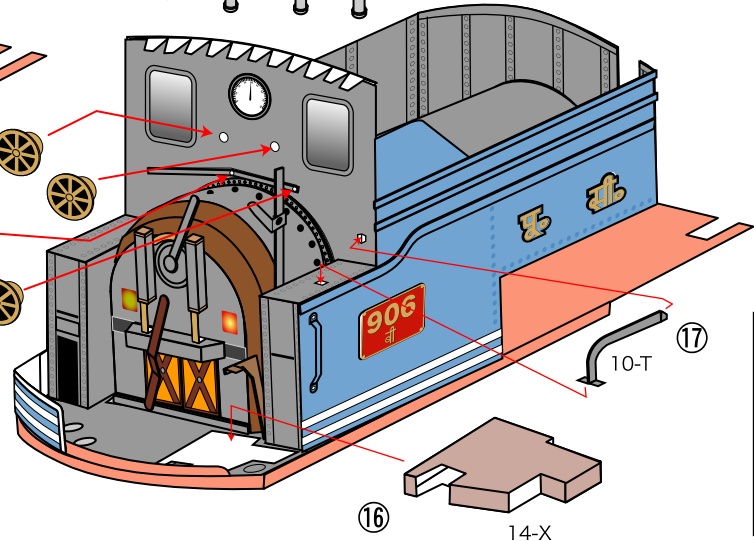
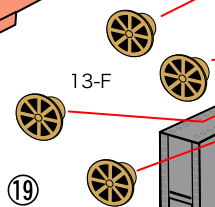
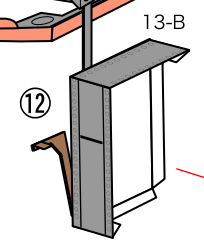
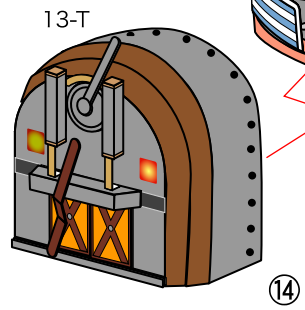
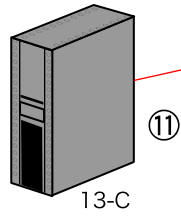
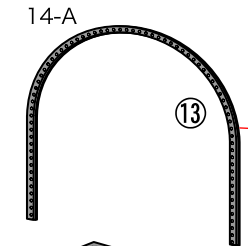
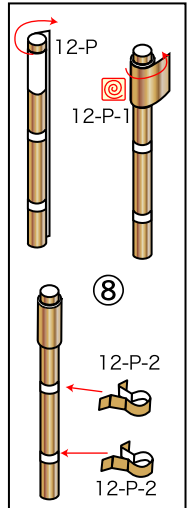
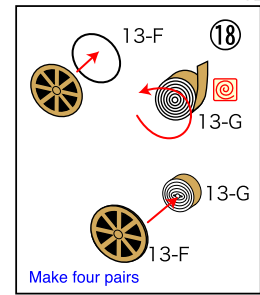
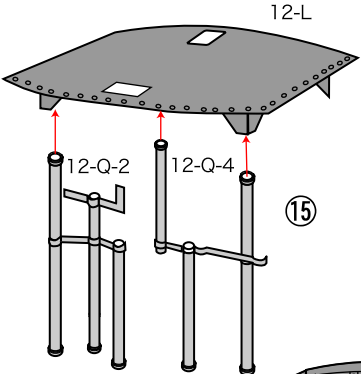
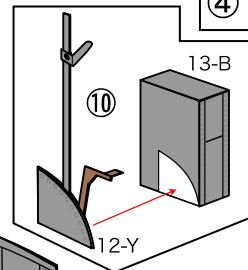
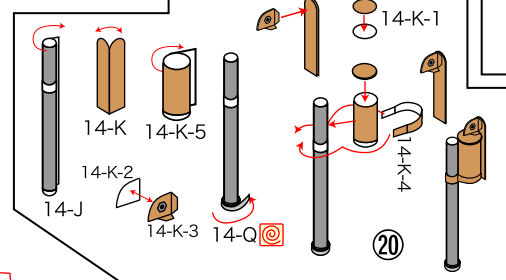
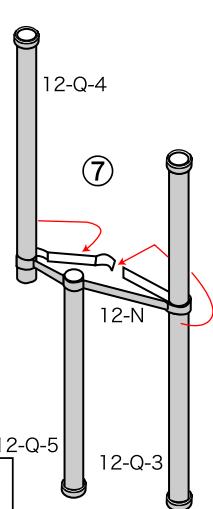
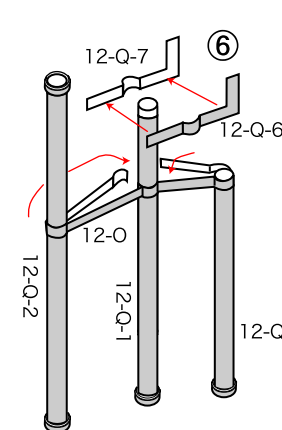
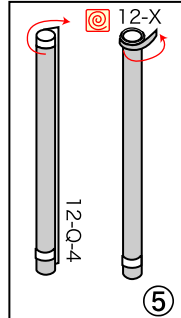
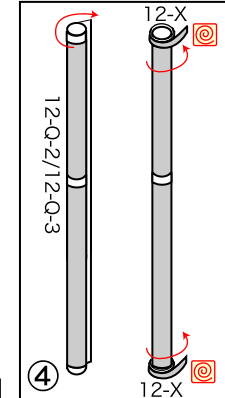
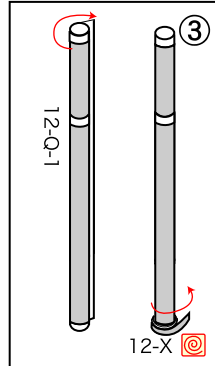
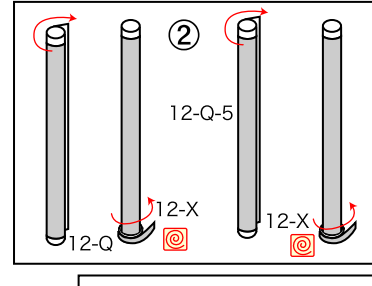
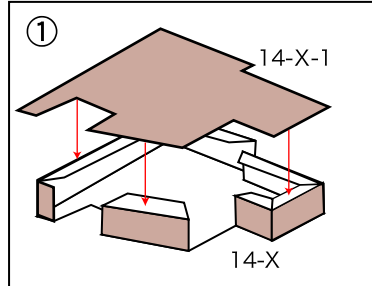
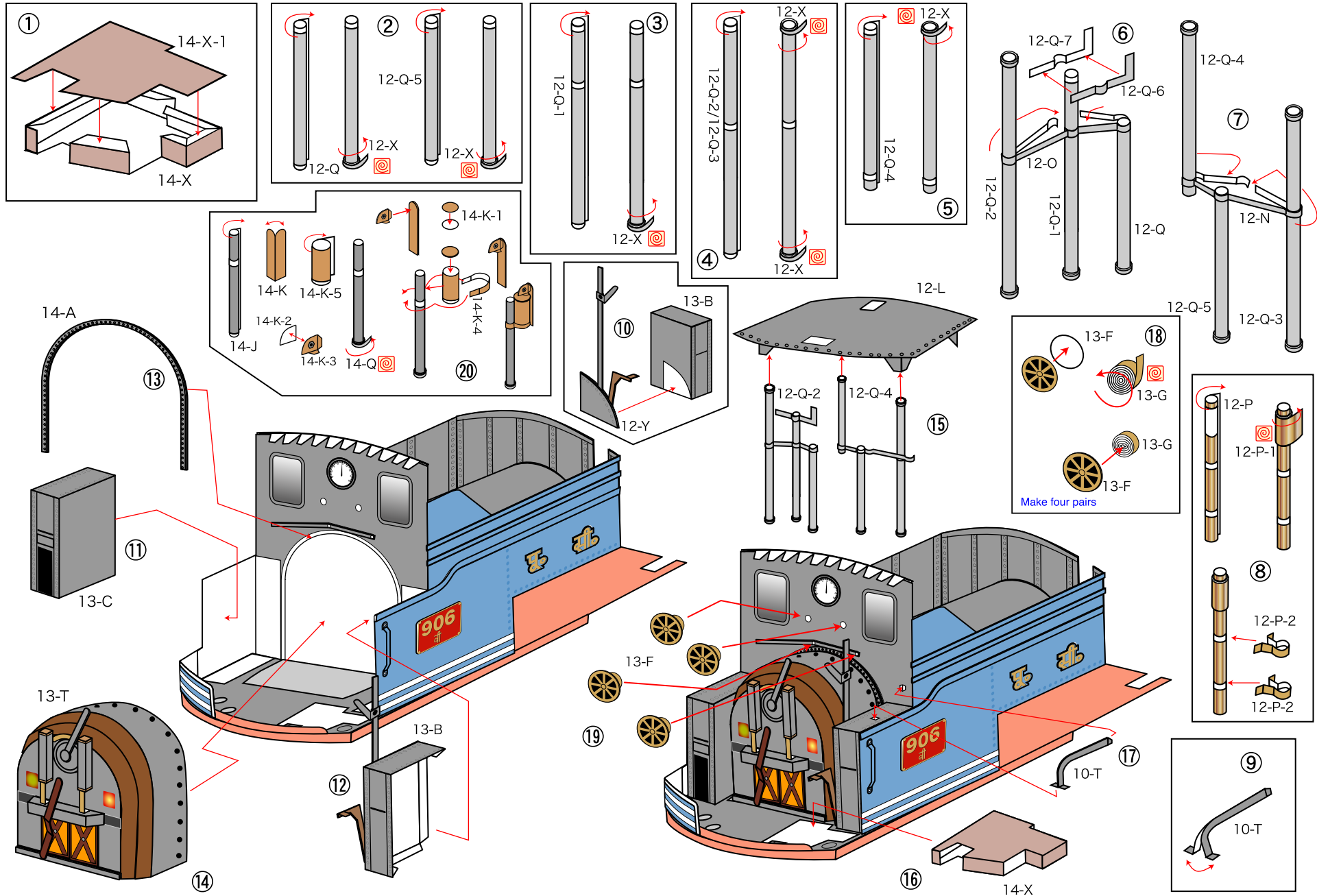
18 10-Z-1, 10-Z-2

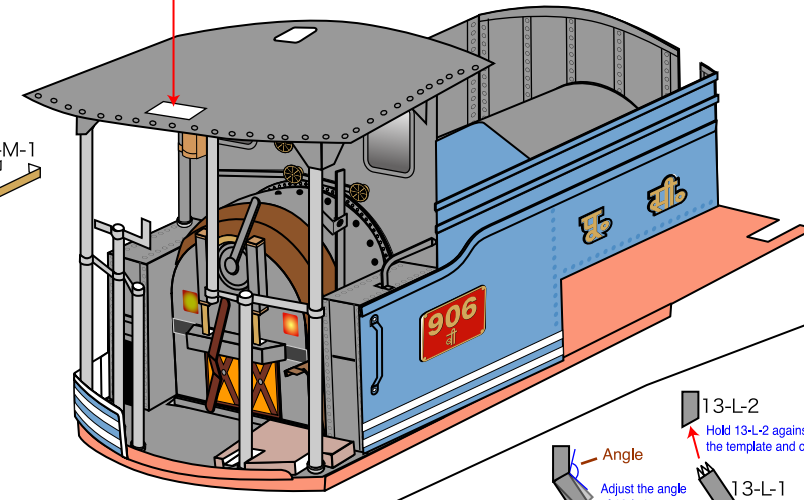
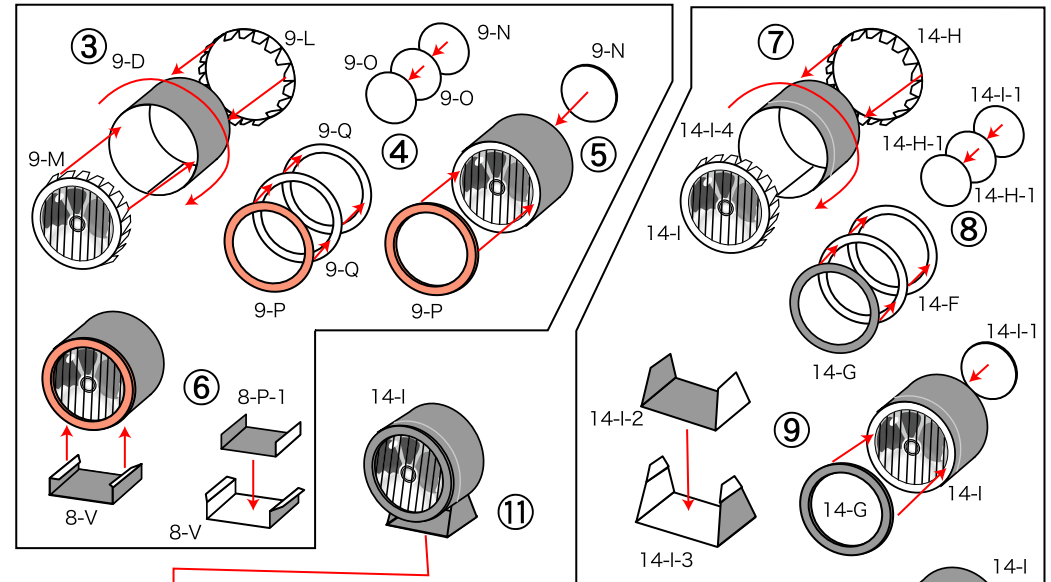
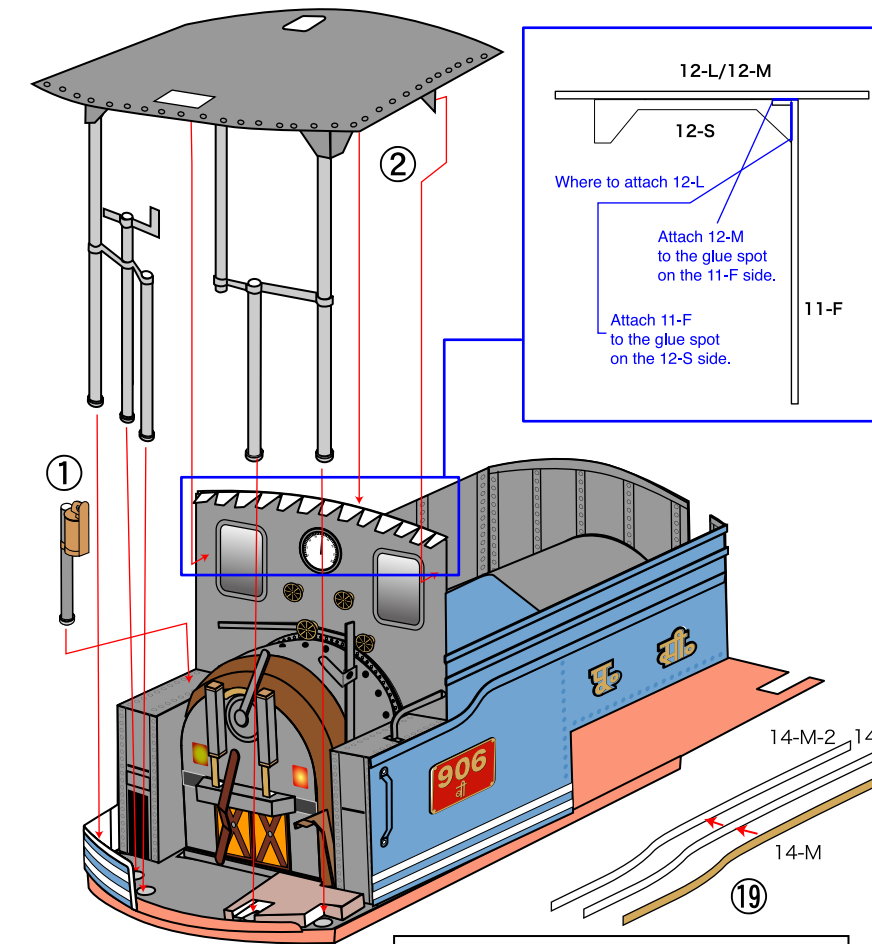
19 10-Z, 10-Z-1

20 13-A

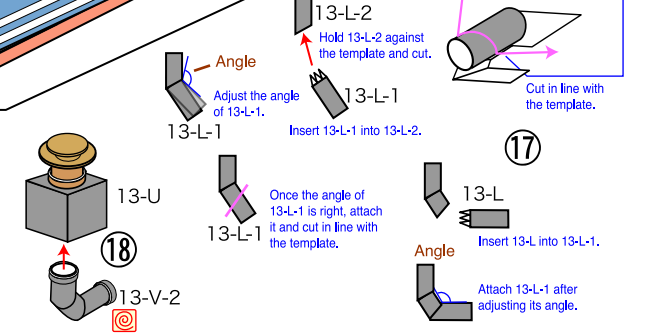
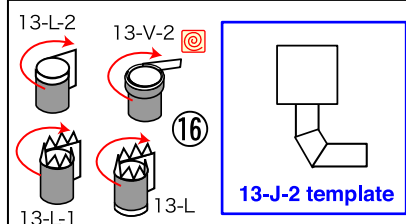
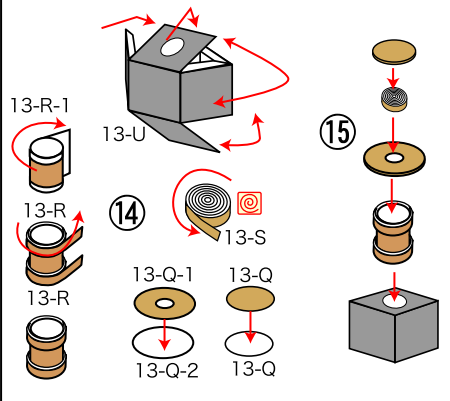
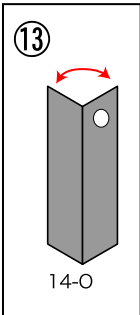
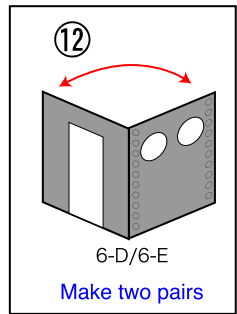
21 14-A, 14-B

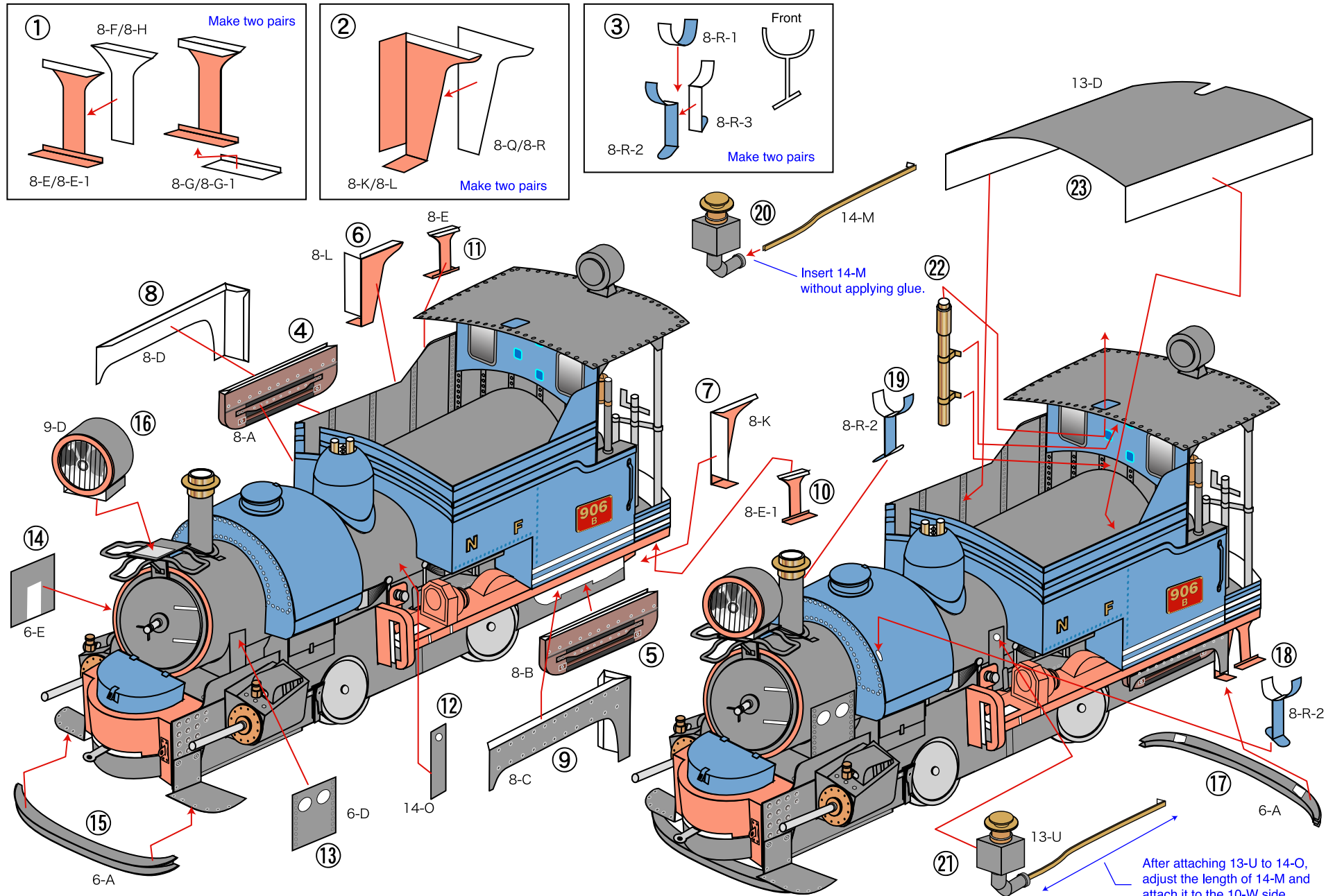
Angle 13-P so it fits to 13-V/13-J, and attach.

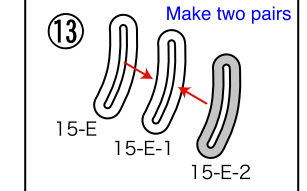
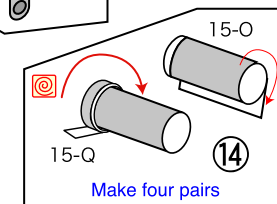
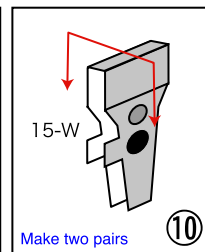
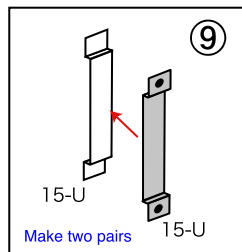
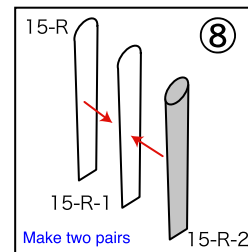
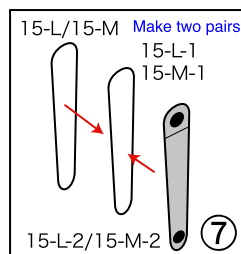
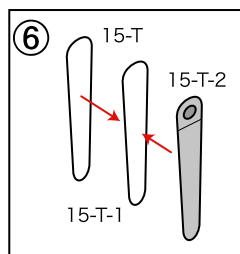
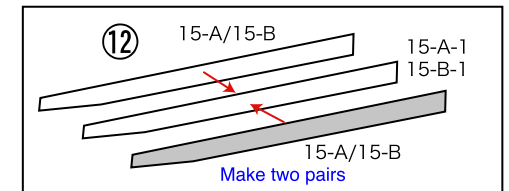
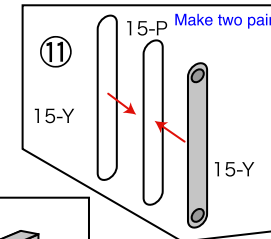
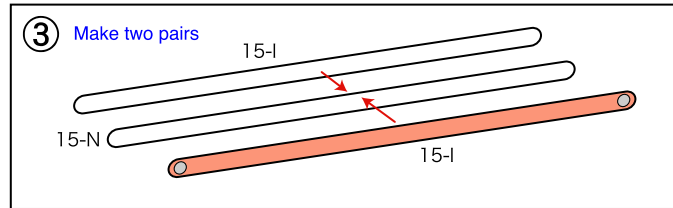
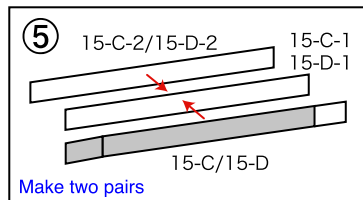
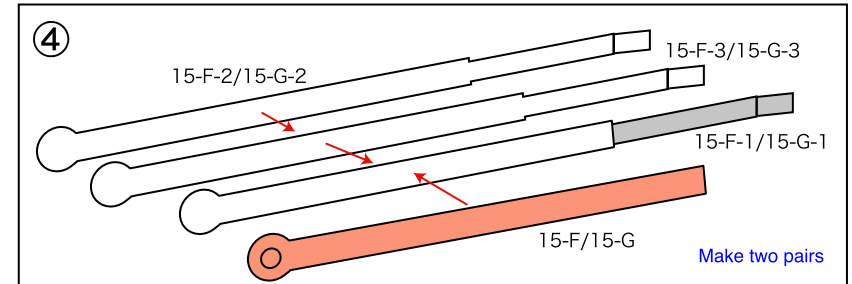
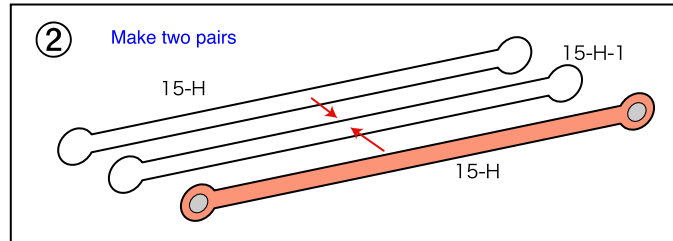
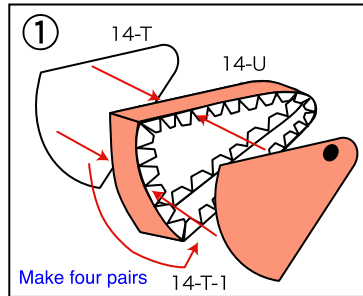




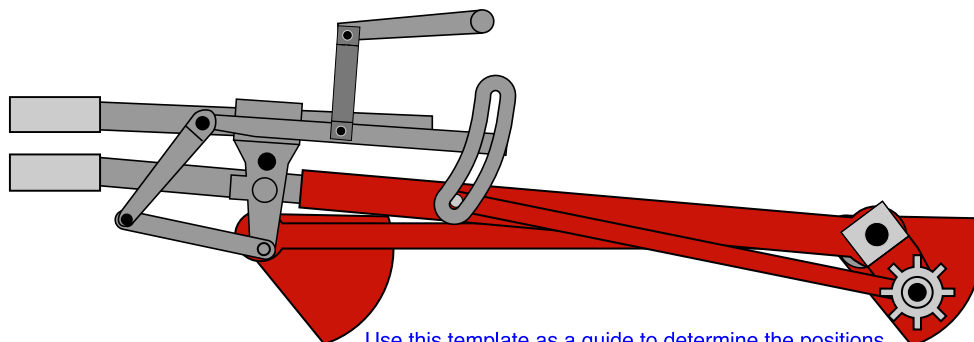
Connecting the pipes
Connect 13-L-2 and the other pipes together by holding them against the templates and cutting them to size.



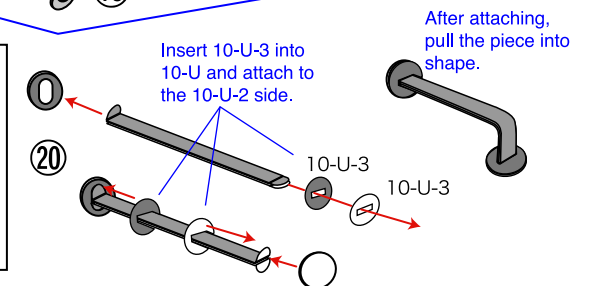
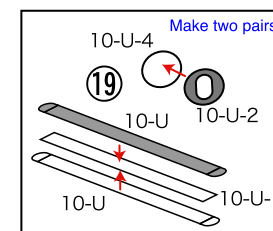
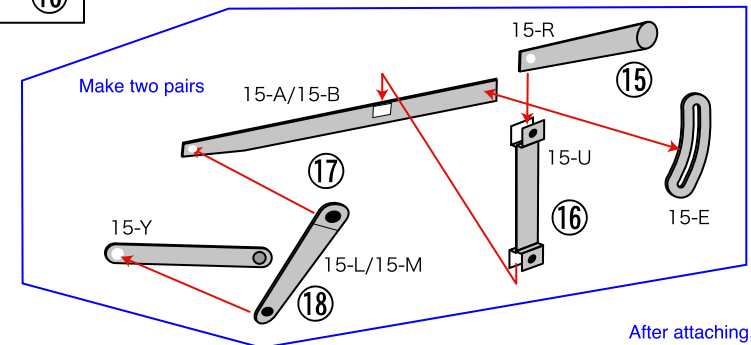


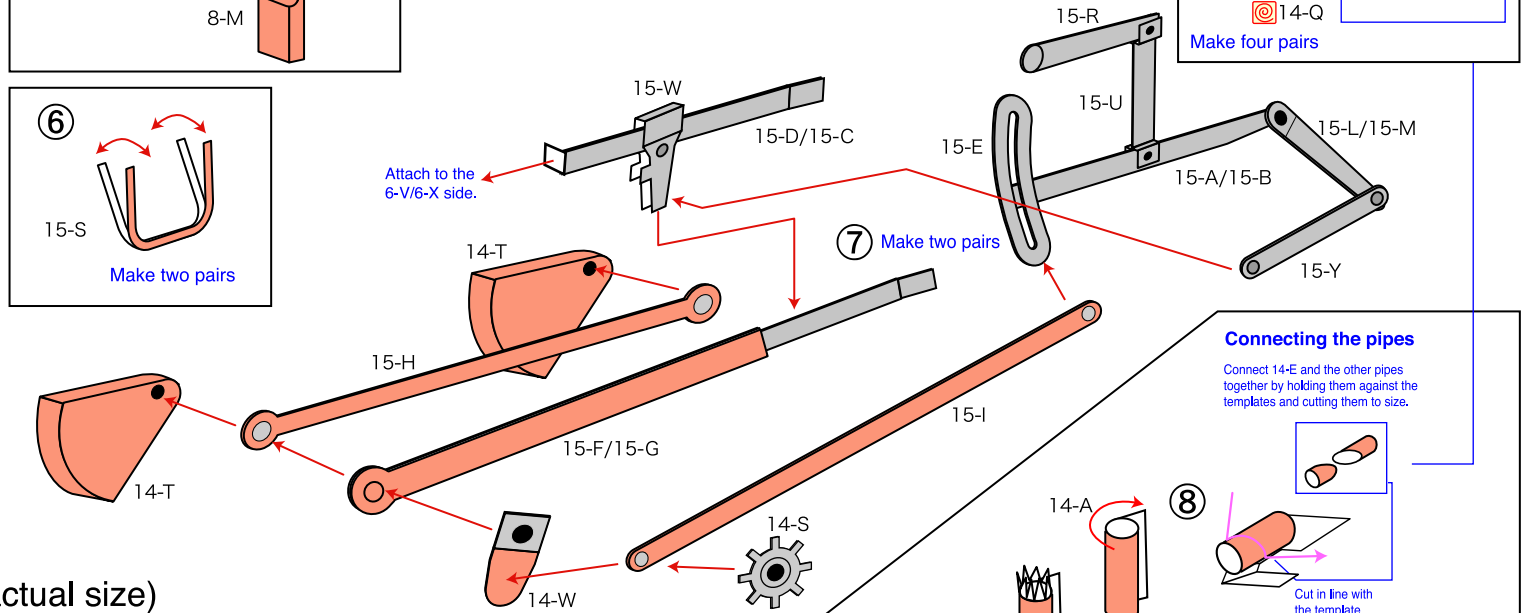
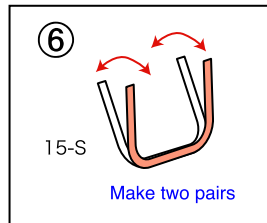
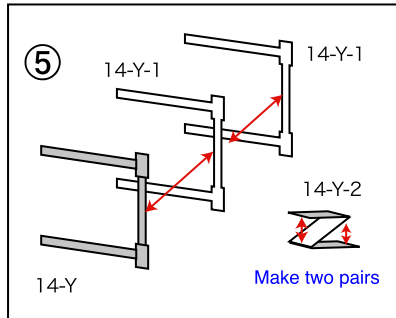
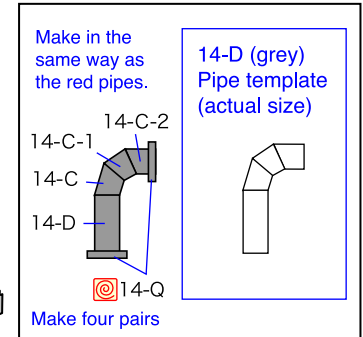
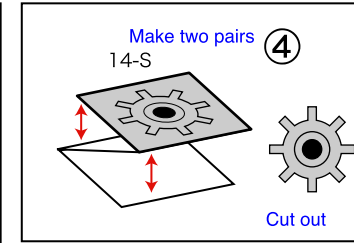
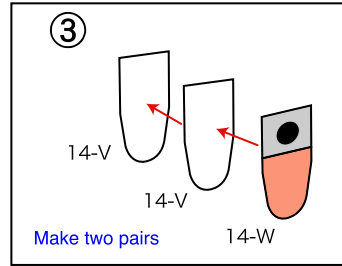
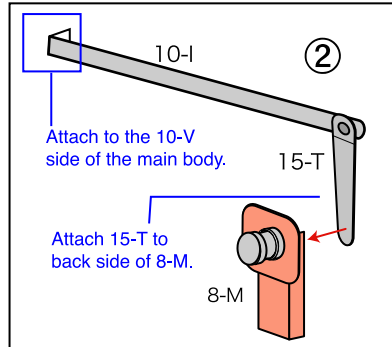
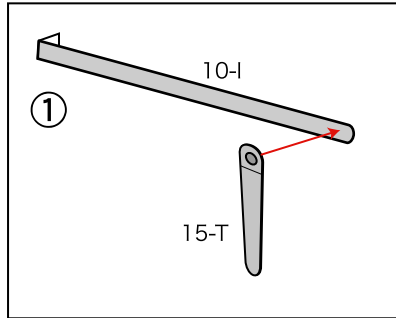


Template for camshaft (actual size)

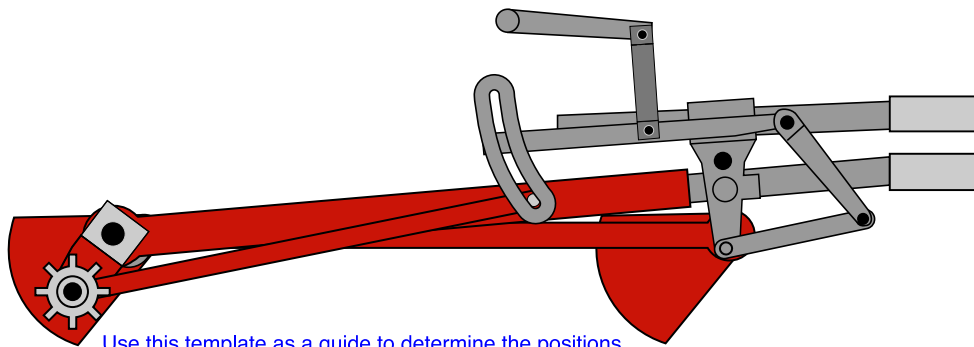


Use this template as a guide to determine the positions for attaching all the parts.
A template for the opposite side camshaft (actual size) is on the next page.

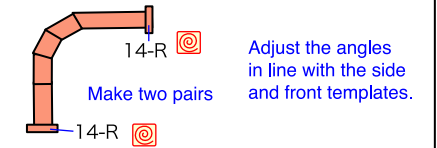
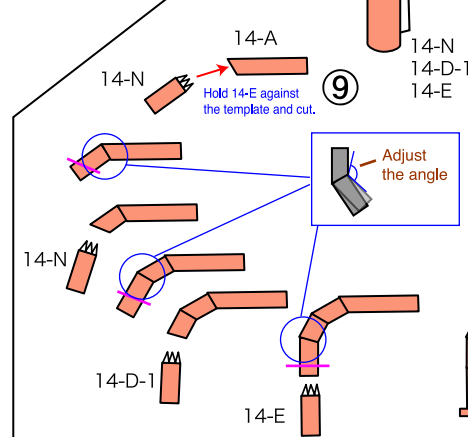
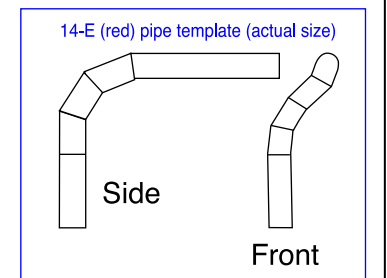


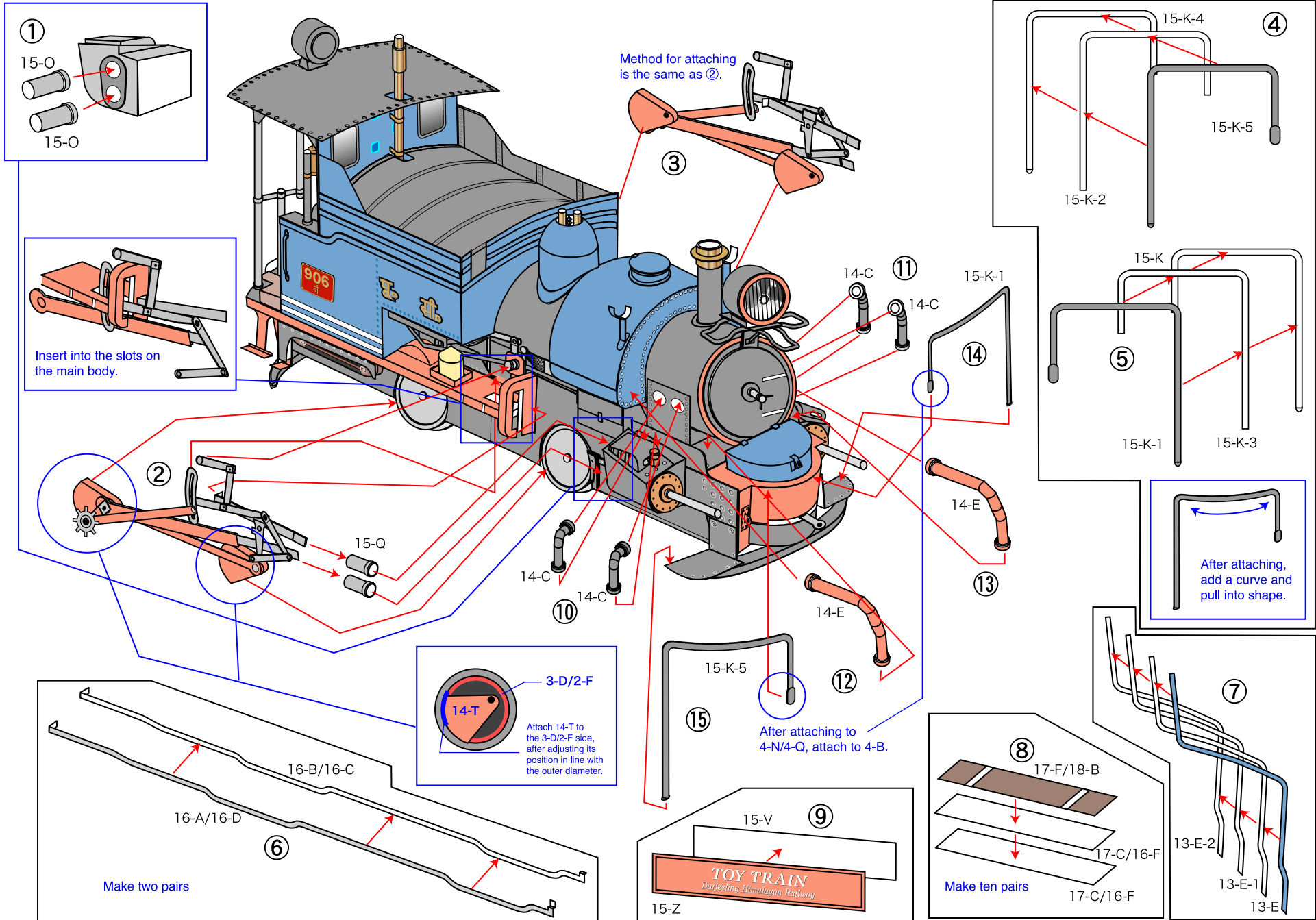


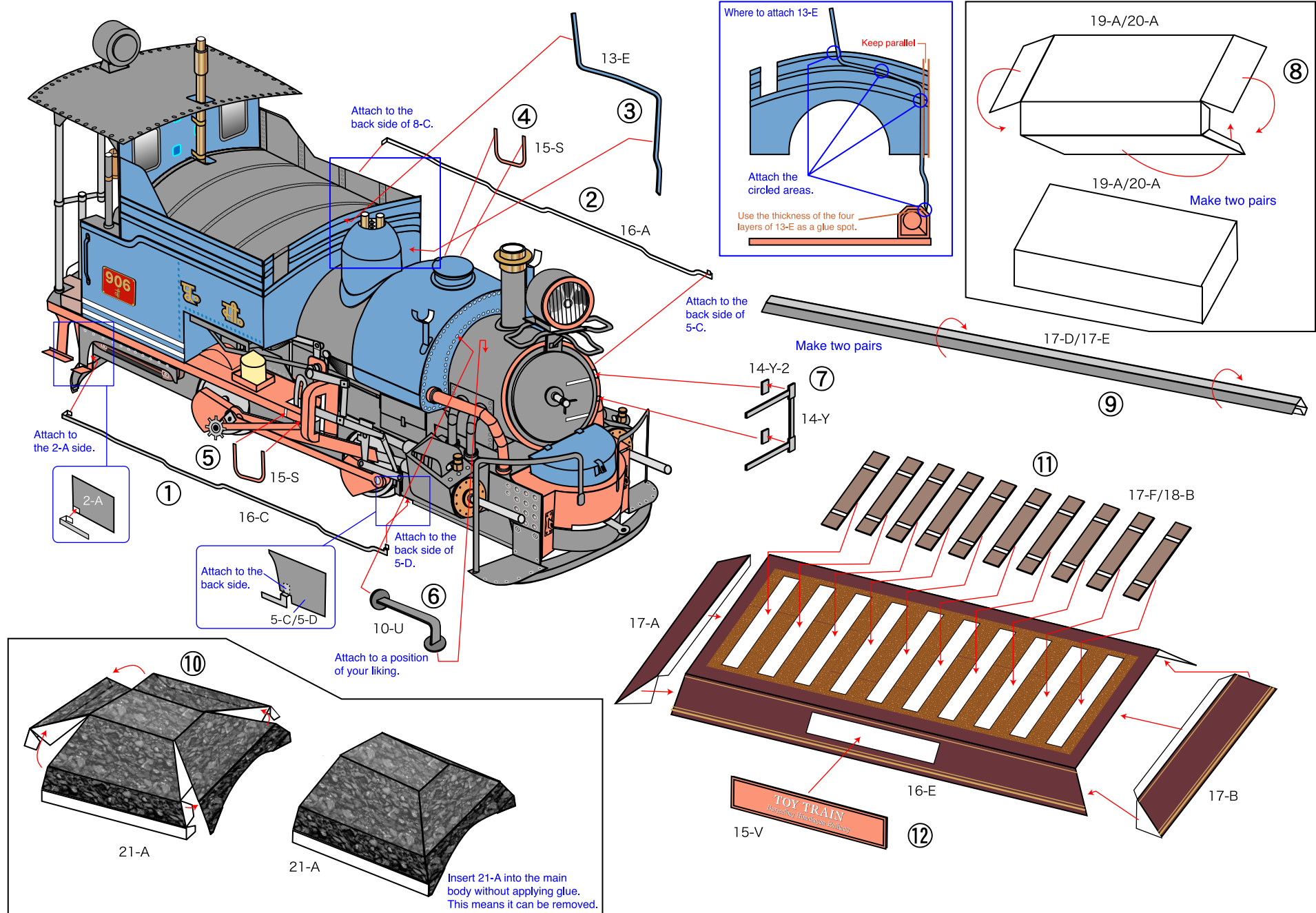
Template for camshaft (actual size)

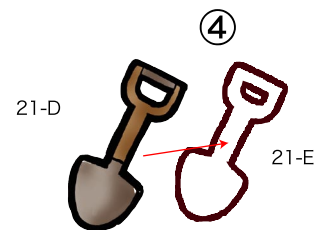
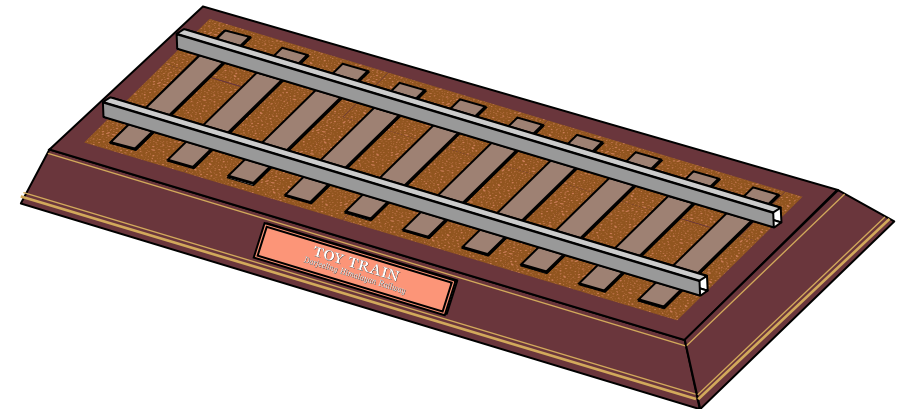
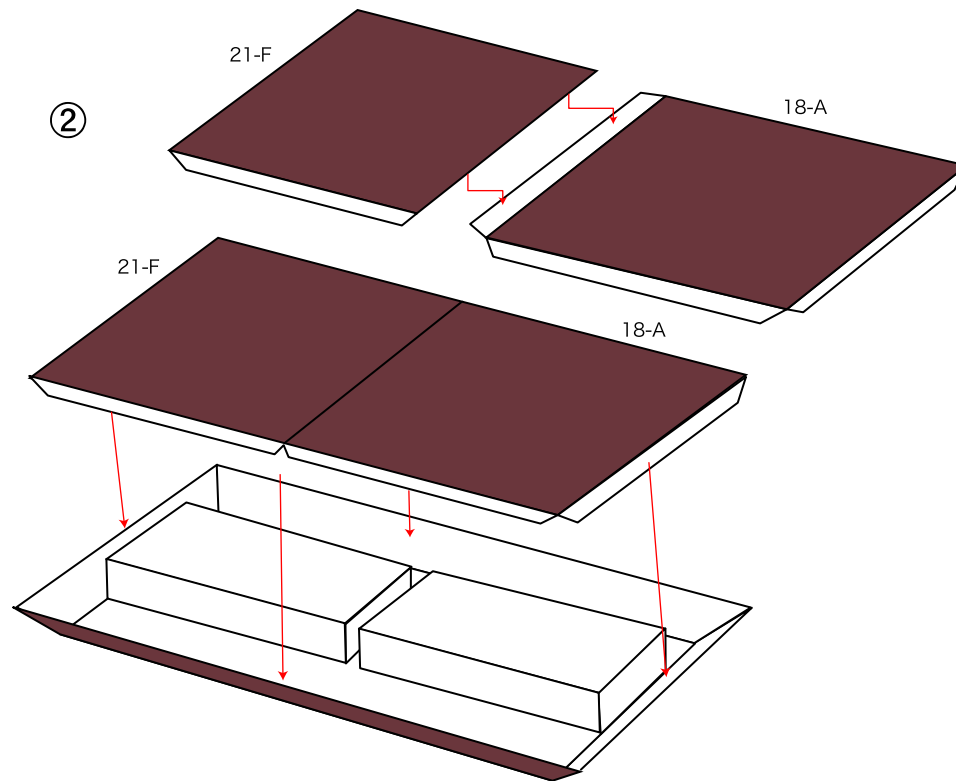
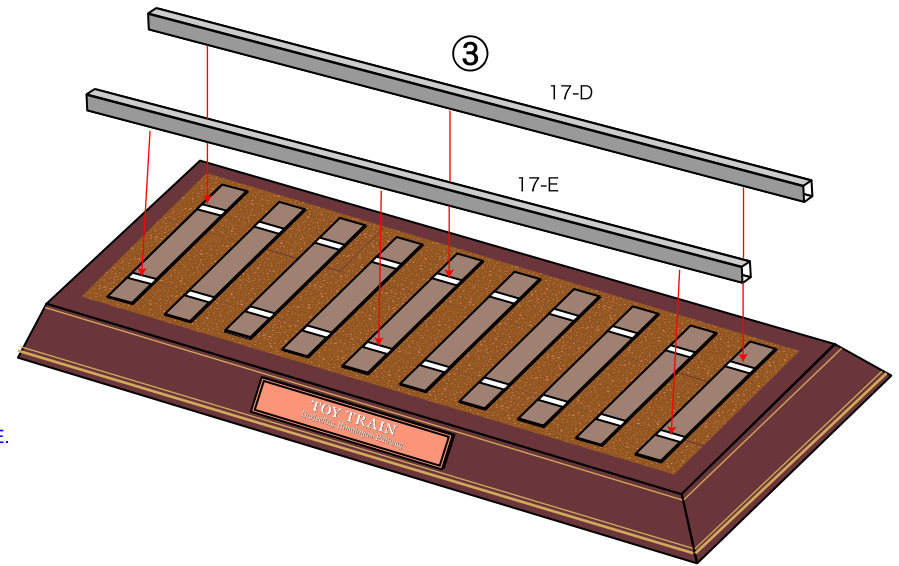
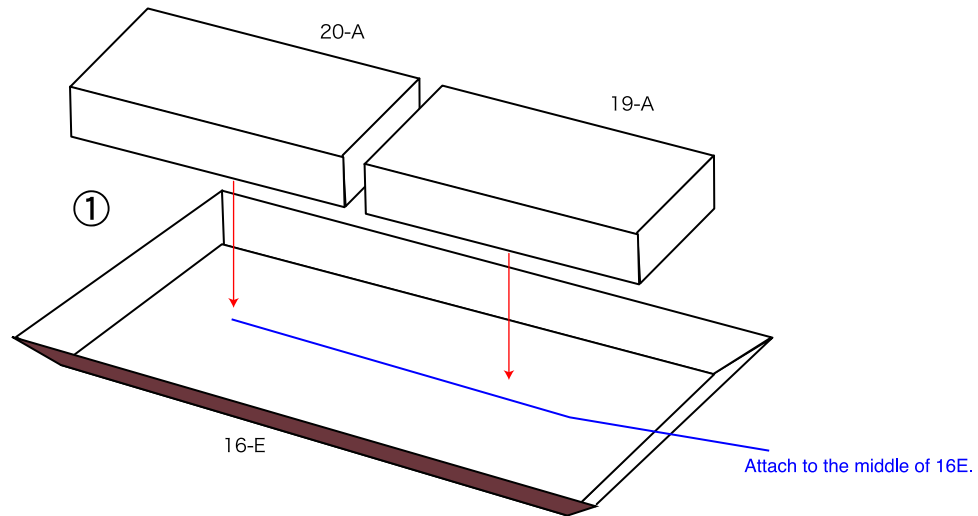


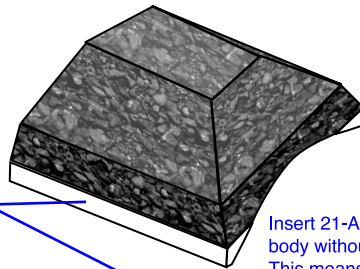
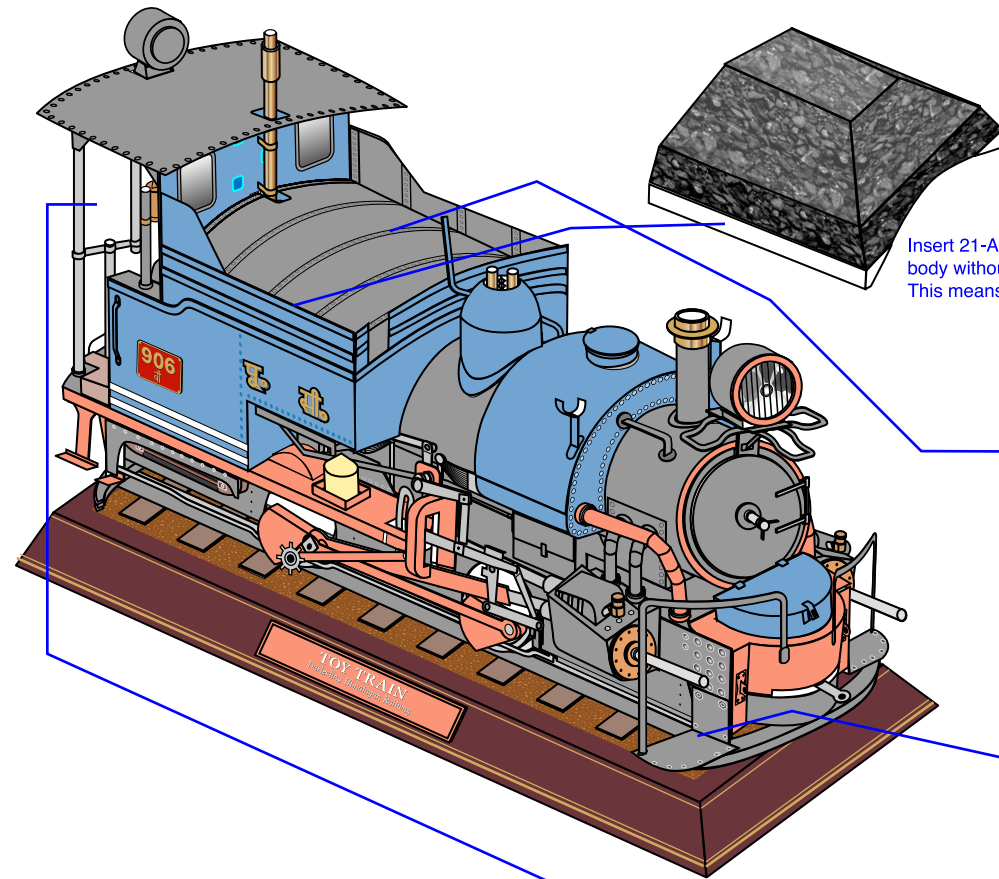
Use this template as a guide to determine the positions for attaching all the parts.



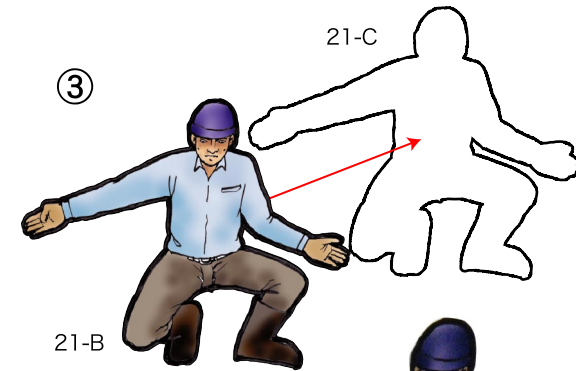






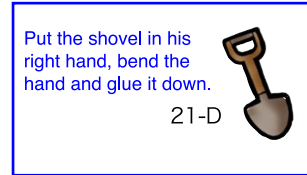


Insert 21-A into the main body without applying glue. This means it can be removed.



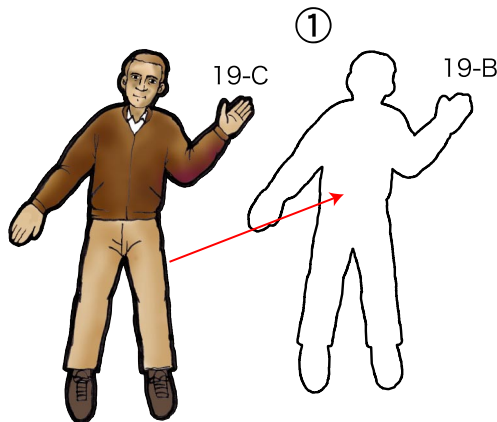
21-B

After attaching, add curves and pull it into shape like in the picture.



Put the shovel in his right hand, bend the hand and glue it down.

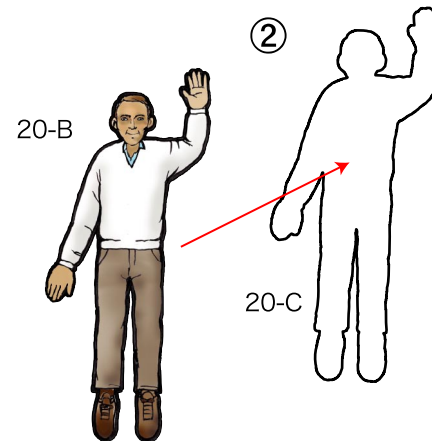
21-D



19-C

19-B

After attaching, add curves and pull it into shape like in the picture.



20-B

20-C

After attaching, add curves and pull it into shape like in the picture.

